

Scaled and easy to read patterns and instructions
for a house made from wood.

Compatible with Garden Scale Railroads and
Garden Towns houses or buildings

Overall Dimensions

Foundation: 19-1/8" x 16"

House: 17-1/8" x 12-1/4"

Height: 12-1/8"

Patterns include:

- House complete
- Porch Rails
- Stairs
- Chimney

•Build the house and chimney from 1/4" plywood
and 1" x 1" Furring Strips (nominally 3/4" x 3/4")

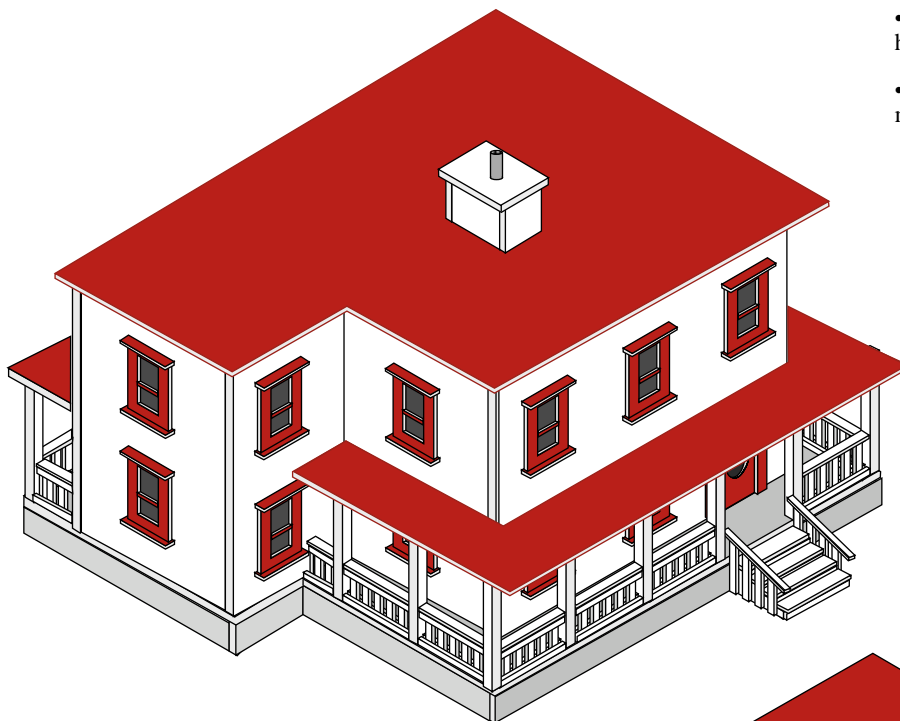
•Purchase doors and windows

or

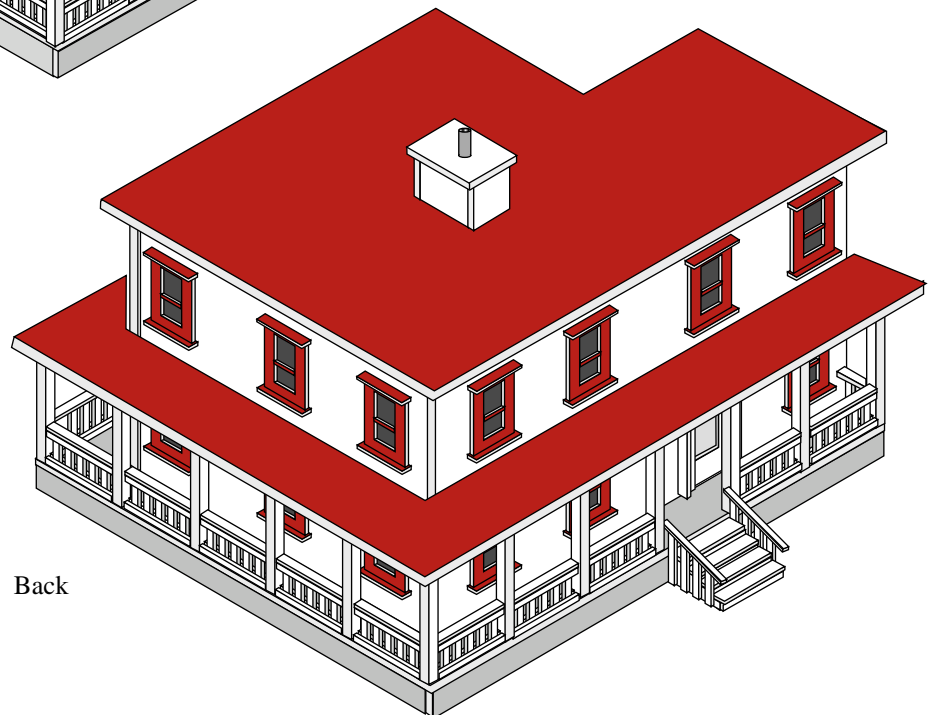
•Build doors and windows from 1/8" balsa wood
or hardwood and plastic glazing for panes.
*Garden Towns Doors and Windows patterns
sold separately*

•Build porch rails and stairs from 1/8" thick
hardwood

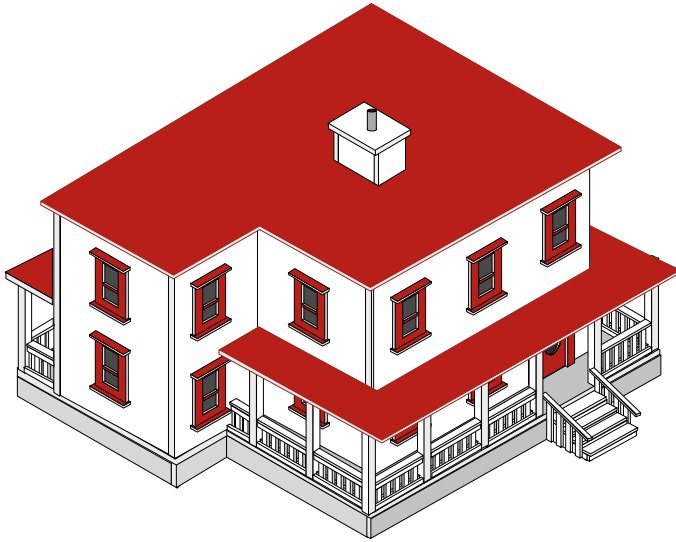
•Optional: Purchase and add lights, using
manufacturers instructions.



Front



Back



Introduction

Thank you for purchasing our Garden Towns Country House pattern. It was designed to accompany the Garden Town Houses and the Garden Town Buildings series. All were instigated by a happy retired "dad" who loves trains of any size and most recently the Garden Scale Trains. However, the scaled buildings can be used to add interest to your flower gardens, fish pond or whatever ideas you may have. They can be used as a backdrop toy for a child. They are as unique as you wish to make them and inspire a nostalgia for a few years gone by.

Enjoy your project!

Please take a quick look through the booklet before you begin.



Table of Contents

	Page
Before You Begin	
Tools and Supplies	
General	3
Working With Small Items	4
Door and Window Requirements	5
Layouts -	
Building and Frame	6
Stairs/Porch	7
Porch	
Roof Patterns	8
Roof and Rail Patterns	9
Assembly	10
Stairs	
Patterns	15
Assembly	16
Chimney	
Patterns	17
Assembly	18
House Patterns	
Walls	19
Roof & Foundation	21
Walls	
Assembly - Installing Windows	22
Assembly - House	
Foundation	24
Frame	26
Walls	27
Porch Roof	28
Porch Roof & Rails	29
Stairs & Roof	30

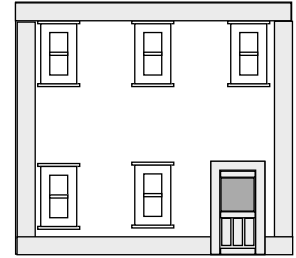
A note about the Doors and Windows

Opening Type Doors -If you use commercially purchased doors, you will have to cut into the house frame. The size of the opening will depend upon the doors and windows you purchase and the instructions which come with them.

Non-Opening Doors-Such as Kiva Design Garden Town Doors and Windows, which you build yourself, you can build a simple "box frame" for the house. The window openings will clear the frame and the 1/8" thick doors will fit into the 1/4" walls.

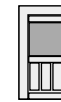
- Buildings are constructed from 1/4" thick plywood
- Framing for the walls is made from 1" Furring strips (nominally 3/4" thick)
- Garden Town Doors and Windows are made from 1/8" thick Balsa wood or Hardwood and plastic glazing for the window panes
- Windows and doors have to be at least 1" from sides and top (to clear inside building frame)
- Doors are placed at floor line
- For a few hints to experiment with on the wall finishes, see "Simulated Patterns" in our free **Food For Thought** brochure.

Framing



Non-opening door can be installed without cutting into the frame

Opening door: Cut appropriate width for door from frame.



Tools Needed for Building

- Saw (for cutting small wood pieces, a jig saw or coping saw)
- Hammer or Stapler or Air Gun
- Clamps
- T-Square
- Level
- Ruler and Pencil (We prefer see-thru rulers with grids for the small pieces)
- Drill

Plus If you are making Doors & Windows from Balsa wood

- X-Acto knife and metal ruler for guide
- Optional:**
- Ruler - the plastic see-thru kind with 1/8" grid is a plus
- Balsa stripper - This little gizmo is used for making various widths of uniform strips from balsa wood. You can set it to cut small widths, (1/8", 1/4", 1/2" etc.) It saves a lot of time if you prefer to cut your own strips.
- Of course you can buy the strips "ready made" at a higher price.
- Clamps (small) - For example, the X-Acto clamps for small pieces are very handy.

Supplies Needed - General

- 5/8" Staples or Brads (optional)
- 1" #6 Wood Screws (House to frame) (12)
- Small 3/8-1/2" Wood Screws for porch roof (12)
- Wood Glue - outdoor quality
- Paint or Stain- We suggest the water based Acrylic Paints found in a multitude of colors in arts and crafts stores.
- Sealer - Water Base Varnish found with the acrylic paints or a sealer such as polyurethane.
- Optional: Caulking for sealing porches, roofs, etc.

Optional - Items to consider from the hobby store:

Lights- Add Lights according to manufacturers instructions.

You can buy scaled wood shingles for your roof, as well as assorted other detailed items. Make your own signs with help from a stencil or the stick-on letters and numbers available.

Guide for
1" x 1" x 8'
Furring Strips

1	8'	96"
2	16'	192"
3	24'	288"
4	32'	384"
5	40'	480"

Specific Building Supplies		For Details See Page
1/4" Plywood (No. of Sheets)	48" x 48" (1) 4' x 4'	6
1" Furring Strips (nominally 3/4" x 3/4")	14'	6
Purchased Doors & Windows (2 Doors & 24 Windows) or build your own from 1/8" thick wood: Doors & Windows -1/8" Balsa or Hardwood		5
See Page 5 or Quick Guide Below		
Stairs and Porch - 1/8" Hardwood		
See Page 7 or Quick Guide Below		
Clear Plastic Glazing for Windows 8" x 10" Sheet	1	5
Wood Dowel or Metal Rod (no hole) Chimney pipe 1/2" x 1/2"		17
Optional Small Parts Frame 1/4" Plywood - No extra needed 1" x 1" Furring Strips - Add 52"		4

Quick Guide for Windows/Doors and Stairs/Porch Supplies

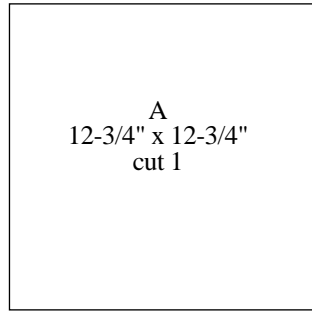
Stairs & Porch supplies are shown separately from Windows & Doors. Total Strips include both.

Size	Stairs and Porch	No. of and Strips	Windows and Doors	No. of and Strips	Total Strips
"Strips"					
1/8 x 1/8 x 18"			18"	1	1
1/8 x 1/4 x 36"	392"	11	279"	8	19
1/8 x 1/2 x 36"	111"	4	5"	1	*4
1/8 x 3/8 x 36"	50"	2	104"	3	5
1/8 x 5/8 x 36"			115"	4	4
"Board"					
1/8 x 4 x 36"	8"	1	38"	2	2

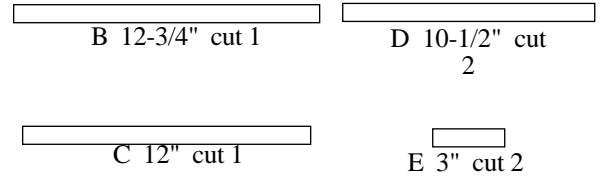
*4 Strips will be enough for both applications

Assembly Frame for Small Items

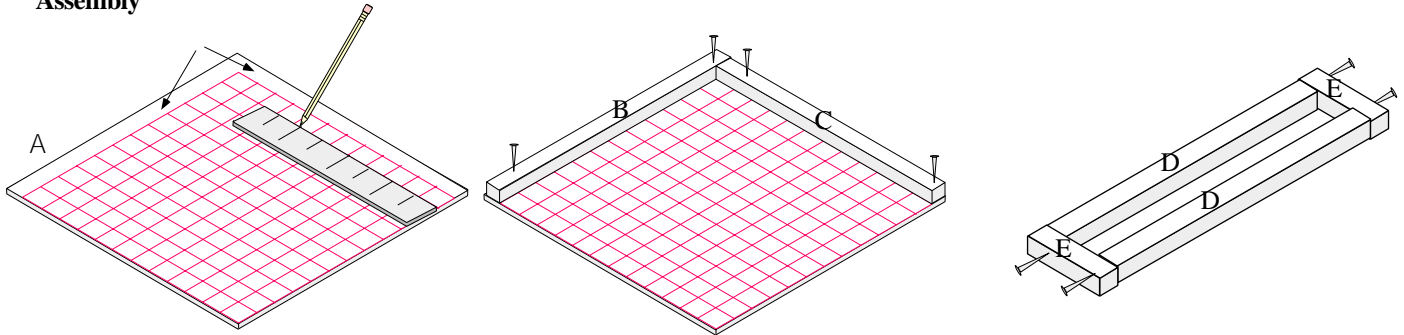
Patterns **Cut from plywood -1/4" thick or any scrap**



Cut from 1 x 1 Framing (nominally 3/4" x 3/4")



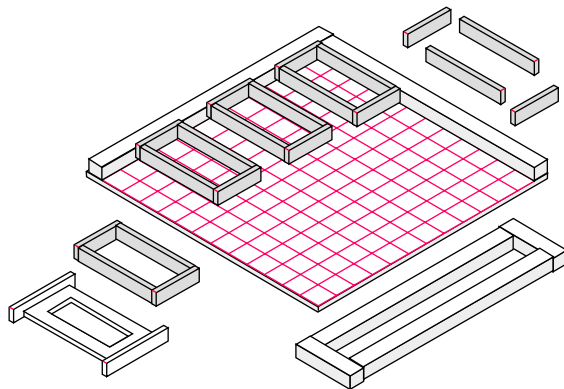
Assembly



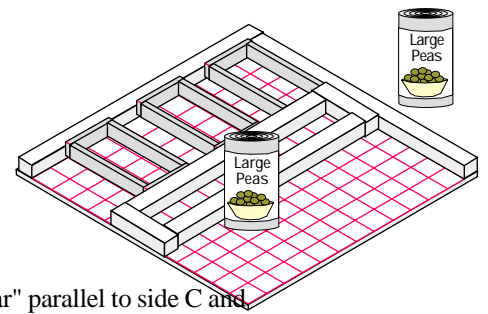
1. Using pencil or pen and ruler, draw lines 3/4" inside of 2 adjacent sides of the base. The frame will be placed in this area. From those 2 lines, draw lines at 1" intervals, forming a 1" grid.

2. Nail and glue frame parts B and C in place, as shown, maintaining a square corner.

3. Using glue and nails, assemble the frame "push bar", as shown. Again, make sure that the corners are square.

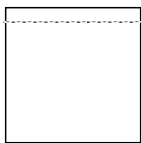


4. Glue parts and assemble inside the frame. The grid will help you keep the pieces straight. You can assemble several "like" pieces at one time.

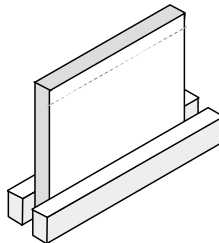


5. Keep the "push bar" parallel to side C and push it firmly against the assembled parts. Use anything with weight to hold the push bar in place until parts are dry. *Canned goods you didn't want for dinner work well.*

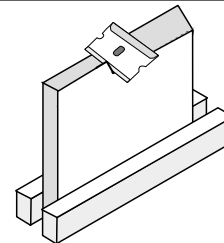
Trimming 1/8" Balsa wood or hardwood



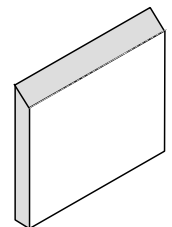
1. Using ruler and pencil make a line 1/8" from the inside edge to be mitered



2. Stabilize the piece to be mitered with a clamp or other means



3. With blade, carefully trim from the top outside to the marked line. Alternately, the piece can planed or sanded.



Trimmed on the inside

Doors and Windows

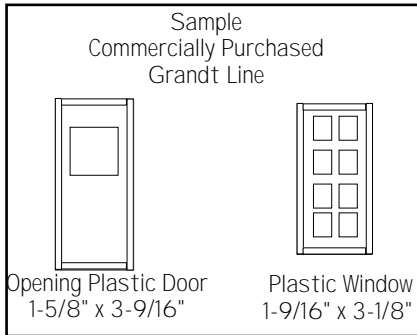
Option: You can purchase ready-made doors and windows which actually open. For example, Grandt Line carries a well made and ready to paint plastic selection for Scale 1:24.

or

you can make your own (Garden Towns Doors and Windows Patterns by Kiva Design) These doors and windows are also 1/24 scale, but are a little larger overall for ease in building. They are non-opening (no hinges).

The following are samples represented for the scaled dimensions.

Buildings are illustrated with the Kiva Design Samples. Neither of the samples are inclusive all all doors and windows available.



•Purchase 2 Doors and 24 Windows

or build **Kiva Design # 5 Doors and # 1 Windows** as shown above

Supplies needed for Doors and Windows

•1/8" Balsawood or Hardwood
Need 4* (4" x 36") boards for
making doors and windows
(you will be cutting strips from part of the boards**)

OR

****Option: you may prefer to purchase
(in lieu of 4 36" boards**

**2 1/8" x 4" x 36" Boards for
the window and door basics
plus following strips:**

•Clear Plastic for Windows
8" x 10" Sheet
(from hobby shop framing area)

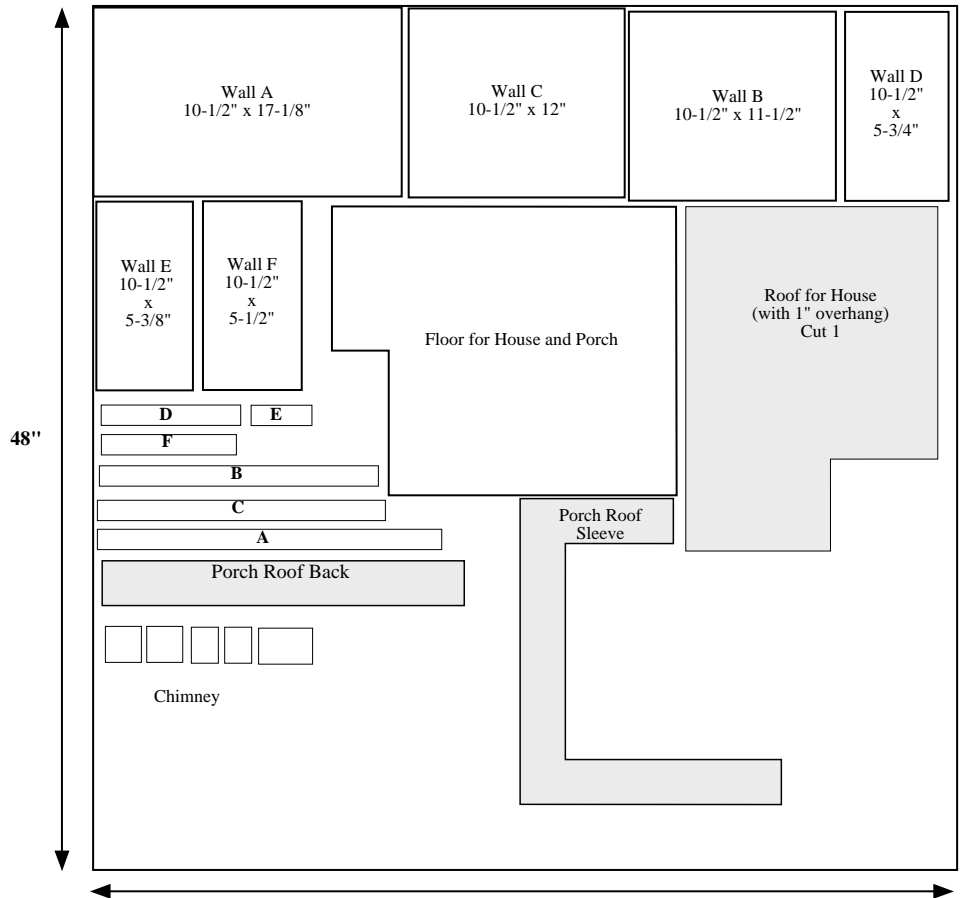
*Doors and windows shown for the building can be made from the number of boards indicated. However, "we" personally always buy one extra board in the unlikely event that we'll need it to redo our "errors". Left-overs are saved for the next project.

	Total Inches Needed
1 1/8" x 1/8" x 18"	18"
8 1/8" x 1/4" x 36"	279"
3 1/8" x 3/8" x 36"	104"
1 1/8" x 1/2" x 18"	5"
4 1/8" x 5/8" x 36"	115"

For Reference

		Yield of Strips if Cut from 4" Wide Boards				
		1/8" Strip	1/4" Strip	3/8" Strip	1/2" Strip	5/8" Strip
Size of Board yields Total Inches in strips	4" x 18"	540"	288"	180"	144"	108"
	4" x 24"	720"	384"	240"	192"	144"
	4" x 36"	1080"	576"	360"	288"	216"
No. of Strips in 4" Board		30 Strips	16 Strips	10 Strips	8 Strips	6 Strips

Layout for House
Cut from 1/4" Plywood



The Frame

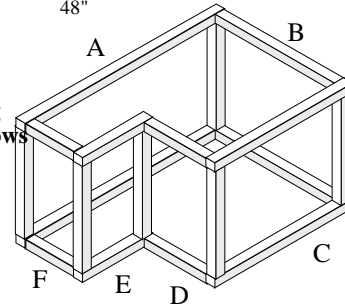
You will need to build a frame for which to attach the walls.

If your building will have doors which do not physically open, you can build a simple box for your wall braces.

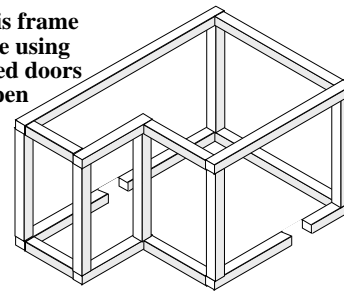
The windows and doors will fit into the walls.

If your building will have doors which do physically open, you will be cutting an opening in the floor frame.

Build this frame if you are using Garden Town Doors and Windows or other non-opening doors



Build this frame if you are using purchased doors which open



Inches =	Feet
12"	1'
24"	2'
36"	3'
48"	4'
60"	5'
72"	6'
84"	7'
96"	8'
108"	9'
120"	10'
132"	11'
144"	12'
156"	13'
168"	14'
180"	15'
192"	16'
204"	17'
216"	18'
228"	19'
240"	20'
252"	21'
264"	22'
276"	23'
288"	24'
300"	25'

Frame Assembly Details begin on Page 25

Patterns for Frame

Cut from 1" (nominally 3/4" x 3/4") Furring Strips**

Framing-cut:		
Wall A	2 @ 16-5/8"	33-1/4"
Wall B	2 @ 10"	20"
Wall C	2 @ 11-1/2"	23"
Wall D	2 @ 5-1/4"	10-1/2"
Wall E	2 @ 5-7/8"	11-3/4"
Wall F	2 @ 4"	8"
Vertical	6 @ 9"	54"
Total for House		160-1/2"
*Add Supports to Foundation		
	5 @ 1-1/8"	5-21/32"
Grand Total		166-5/32" or (14')

**Note: If your framing material is a different size than 3/4" square, adjust your first six lengths (horizontal frame pieces) to fit the diagram for Frame Placement shown on page 25.



***See assembly-house foundation**

Layout for stairs (Patterns on Page 15)

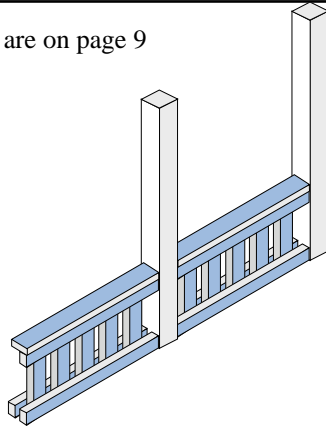
Stairs - Basic steps as shown - 4" x 8" plus 1/8 x 1/4" Hardwood Strips, as follows:

	Qty.	Length	Total (Dec.)
Vertical Rails	16	2-1/4"	36.00
Hand Rails	4	2-5/8"	10.52
Risers	8	2-1/2"	20.00
Total			66.5 or 67"

The Total (Decimal) column is for total inches needed calculation and corresponds with Hardwood Strips Needed. (below)

Cut basic parts from 1/8" thick Hardwood

Porch and Rail Patterns are on page 9



Total 1/8" thick Hardwood Strips Needed for Stairs and Porch Parts

Choose Length

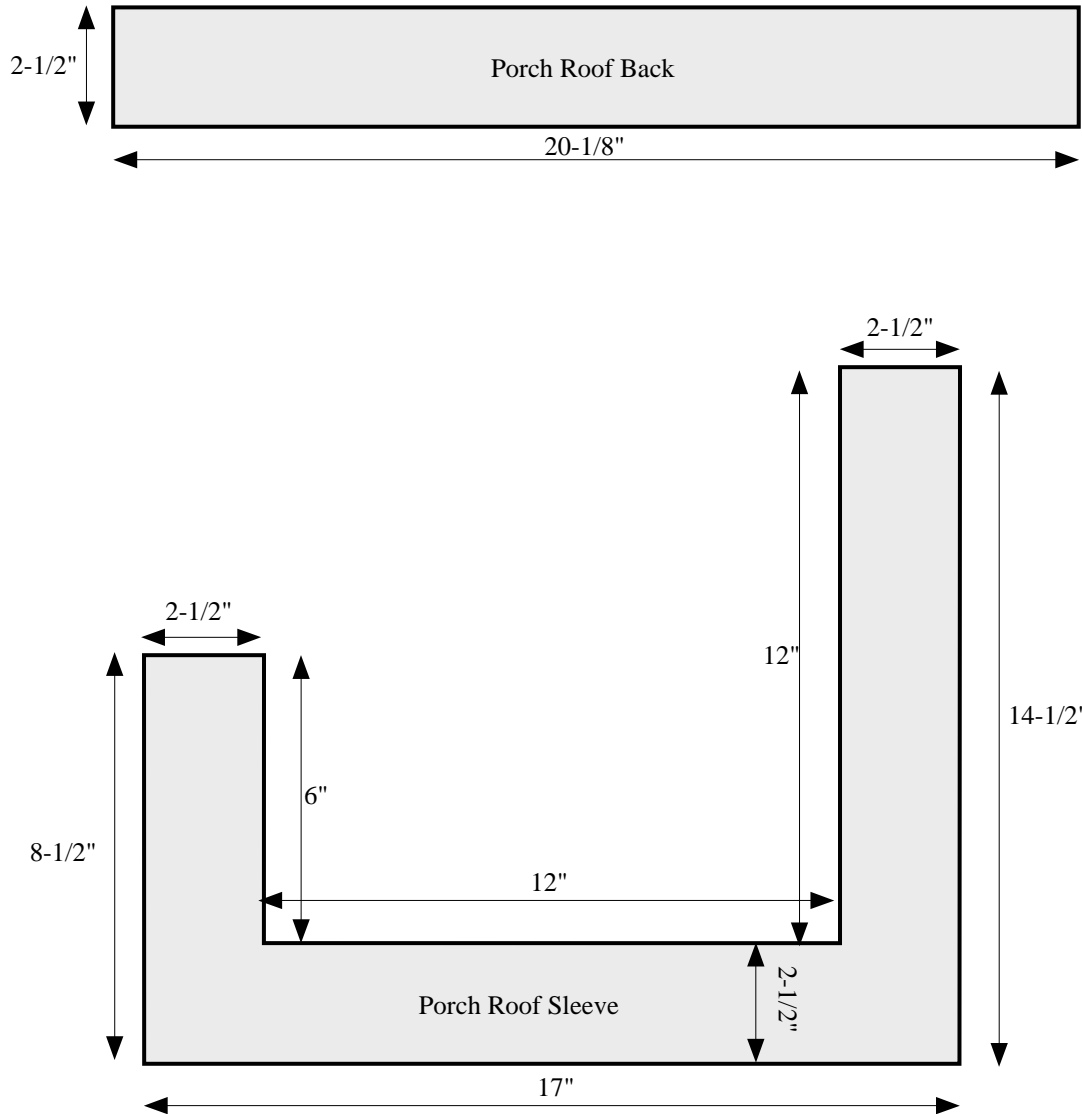
Strips can be purchased already cut or cut from hardwood "boards" found in hobby shops. For uniformity, we suggest buying the strips.

Strips normally come in lengths of 18, 24" or 36" Choose the length according to availability and the one which suits your needs best.

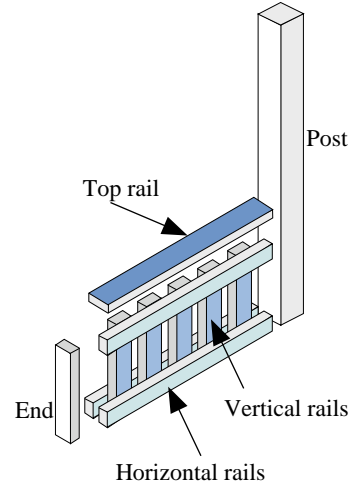
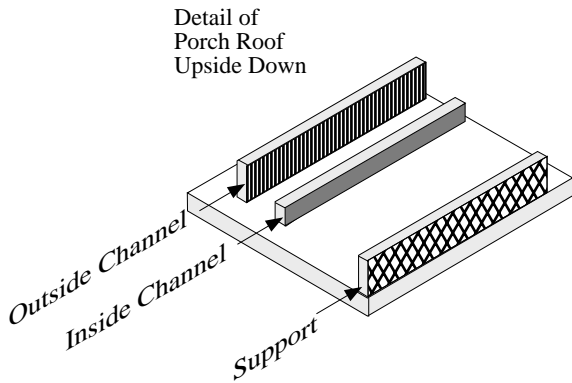
Total inches needed	Choose your Length		
	18" Strips	24" Strips	36" Strips
1/8" x 1/4"			
Porch			
Stairs			
Total	**	17	11
1/8" x 1/2"			
Porch Roof	**	5	4
1/8 x 3/8"			
Porch	3	3	2
3/8" x 3/8" Square			
19 Porch posts @ 5"	95"		
18" yields 3 posts	7		
24" yields 4 posts		5	
36" yields 7 posts			3

** One strip needed for the porch is longer than 18"

**Porch Roof
with 1/2" Overhang
Cut 1 Sleeve
and 1 Back**



Sleeve will fit onto
the assembled house
Back will be attached
after sleeve is in place



Cut strips according to Quantity and Length as indicated below.:
*The Total (Decimal) column is for total inches needed calculation
 and corresponds with Supplies needed on page 7*

1/8" x 1/4" Strips

Porch Roof			
Inside Roof Channels			
	Qty.	Length	Total (Dec.)
Wall A	1	18-3/4"	18.75
Wall B	1	13-1/2"	13.50
	1	1-1/2"	1.50
Wall C	1	15-1/4"	15.25
Wall D	1	7-1/2"	7.50
Wall F	1	1-1/2"	1.50
Porch Vertical Rails			
	84	1-1/2"	126.00
Horizontal Rails			
	48	2-3/4"	132.00
	3	1-1/2"	4.50
	3	1-7/32"	3.66
			324.16
			or
Total			325"

1/8" x 1/2" Strips

Porch Roof			
Horizontal Supports			
	Qty.	Length	Total (Dec.)
Wall A	1	17-1/8"	17.13
Wall B	1	12"	12.00
Wall C	1	12-1/4"	12.25
Wall D	1	6"	6.00
Wall E	1	1-3/8"	1.38
Outside Roof Channels			
Wall A	1	19-3/8"	19.38
Wall B	1	14"	14.00
	1	2"	2.00
Wall C	1	16-1/4"	16.25
Wall D	1	8"	8.00
Wall E	1	2"	2.00
			110.39
			or
Total			111"

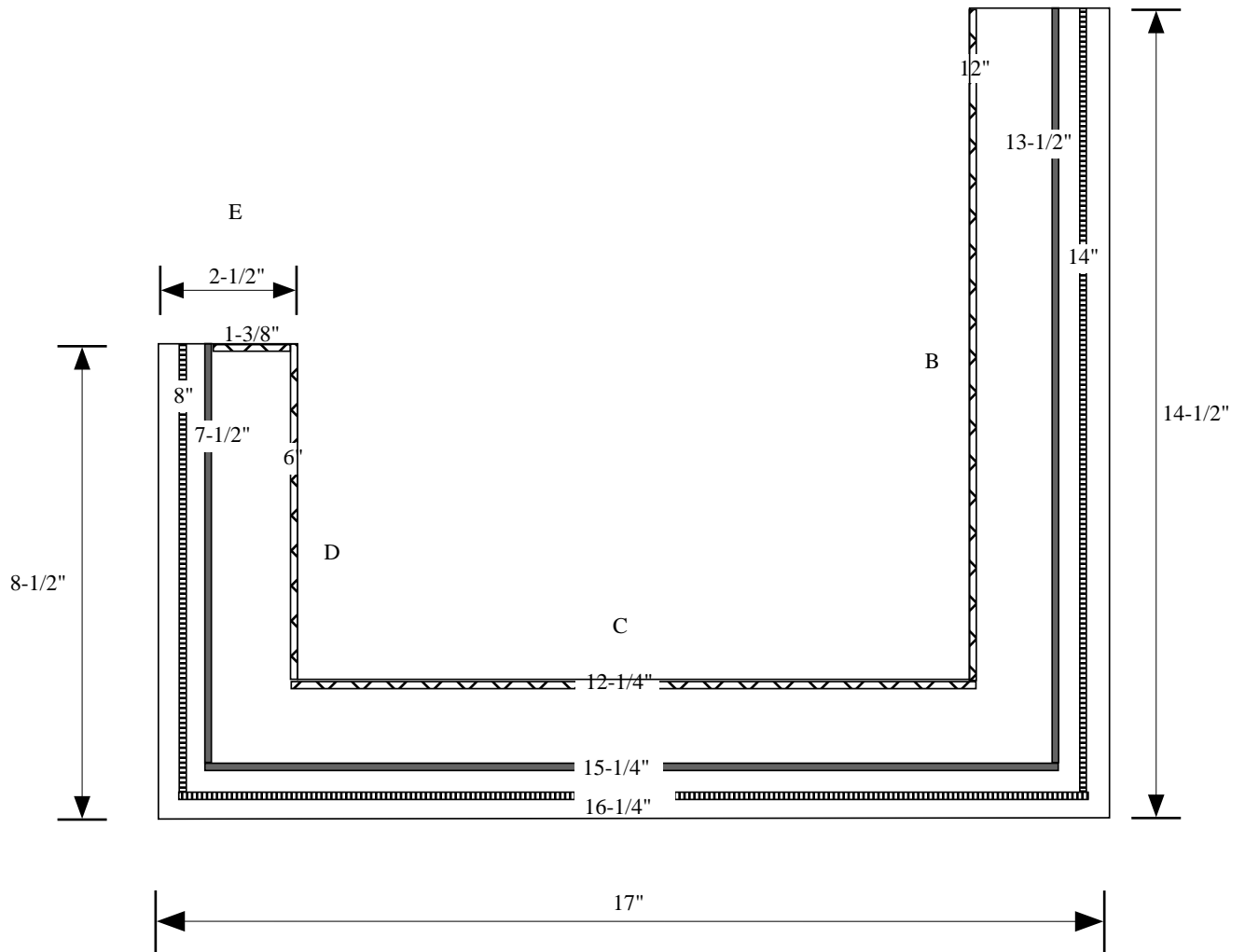
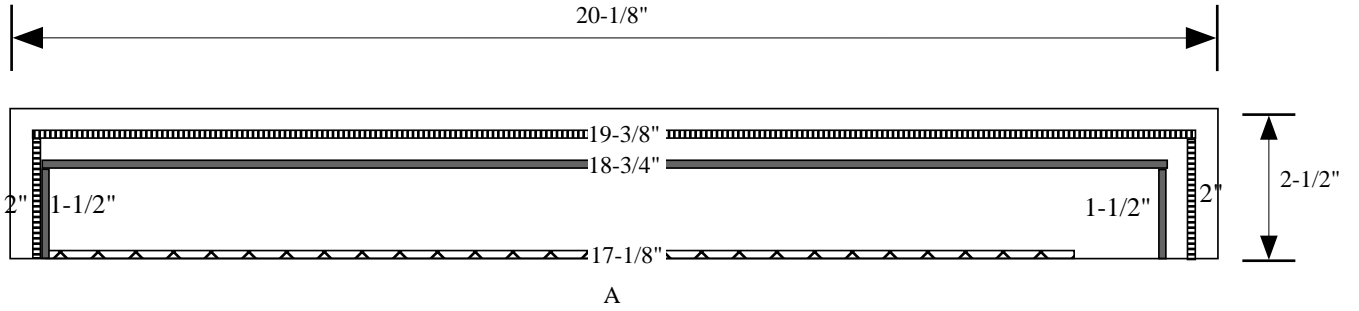
1/8" x 3/8" Strips




Porch Top Rails			
	Qty.	Length	Total (Dec.)
	16	2-3/4"	44.00
	1	1-5/8"	1.63
	1	1-11/32"	1.34
Short Section Ends			
	2	1-1/2"	3.00
			49.97
			or
Total			50"

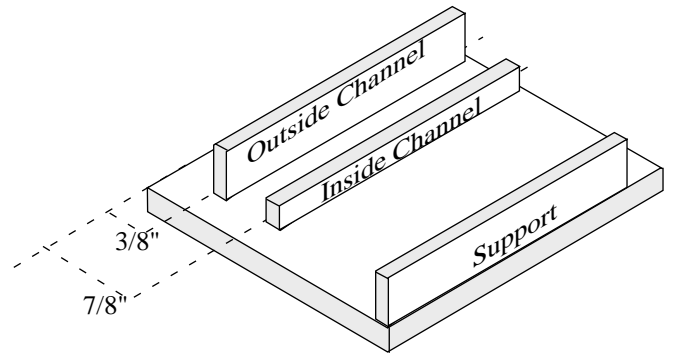
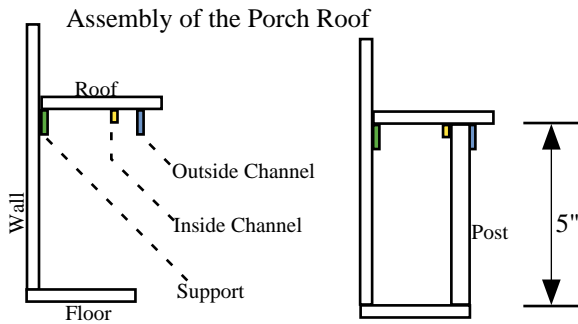
3/8" Square

Porch Posts			
	Qty.	Length	Total (Dec.)
	19	5"	95.00
			or 95"

**Porch Roof Supports
and
Channel placement guide**
See Page 11 for details



-  Porch support - attaches to house - 1/2" wide
-  Inside Channel - 1/4" wide
-  Outside Channel - 1/2" wide



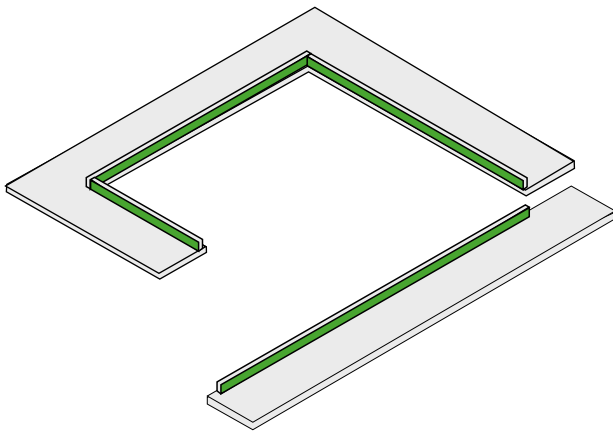
Side View

Support will be attached to the wall and is directly on the inside edge of the roof.

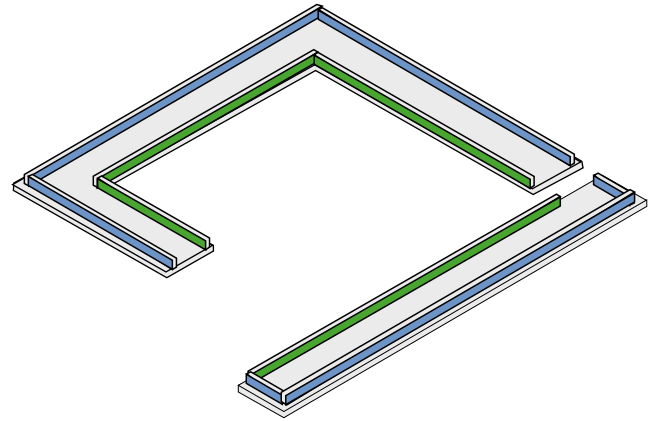
Outside channel is 3/8" from outside of roof edge

Inside channel is 7/8" from outside of roof edge

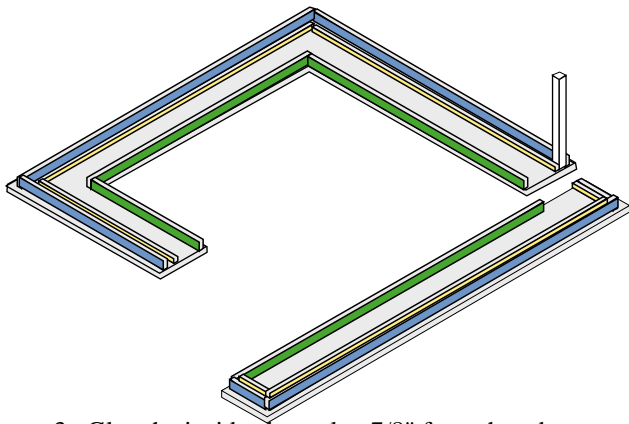
Turn the Porch Roof pieces on to their backs



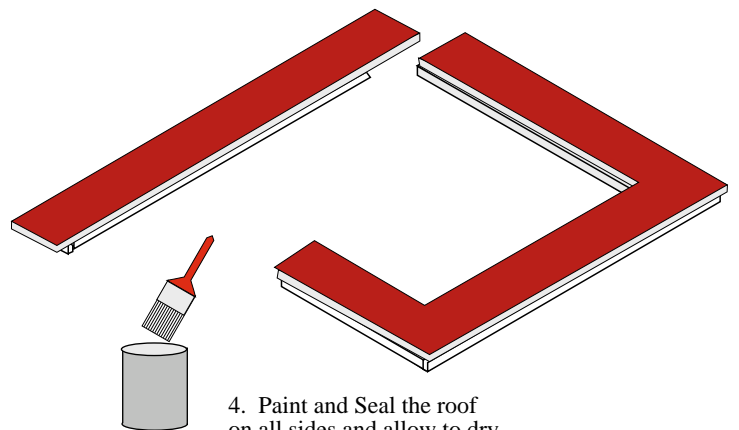
1. Glue the Support in place
Allow glue to dry.



2. Glue the Outside Channel at 3/8" from the edge. Allow glue to dry



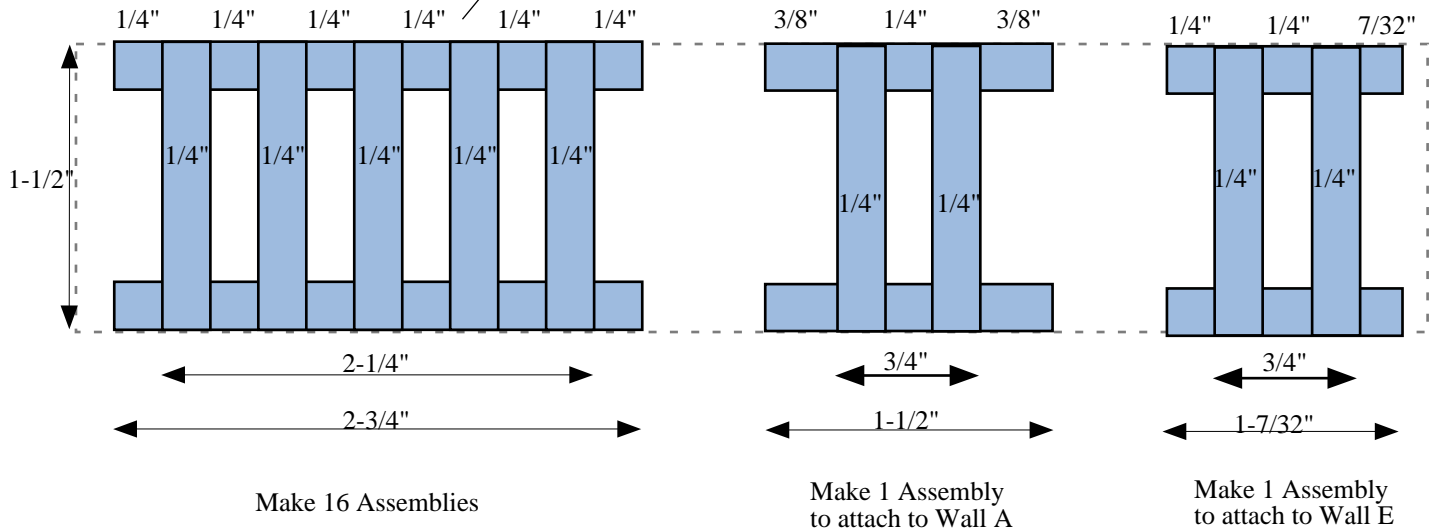
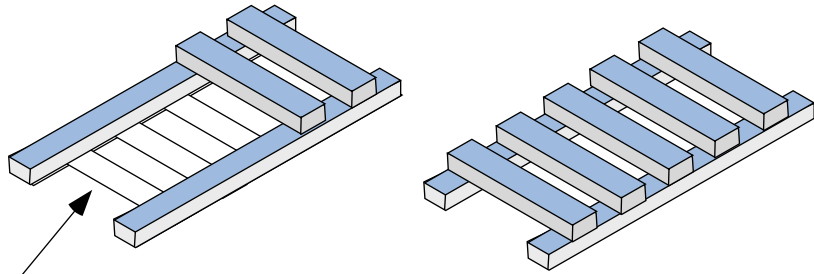
3. Glue the inside channel at 7/8" from the edge. Using one of the cut-out porch posts, make sure that it will fit into the channel. If it doesn't, adjust your inside channel before allowing the glue to dry.



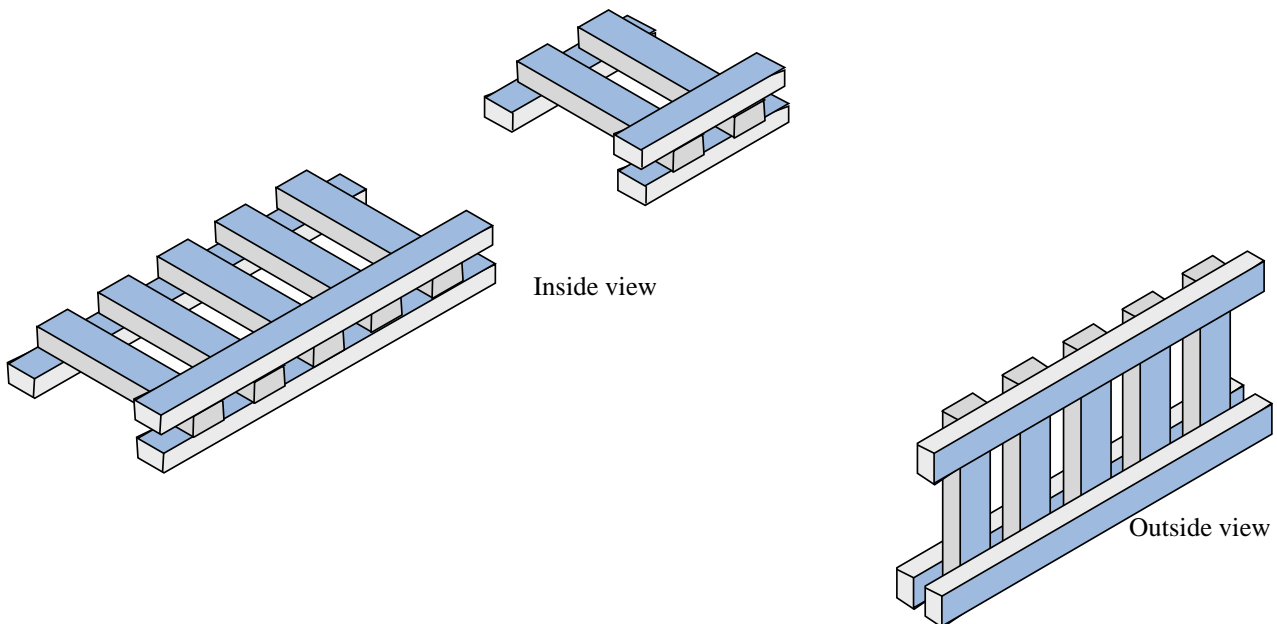
4. Paint and Seal the roof on all sides and allow to dry.

Rail Assembly

You can use the illustrations as guides. They are actual size.
Lay the horizontal rails out flat directly over horizontal rails on the the illustration.
(You may want to tape them in place)
Then glue the vertical rails to the two horizontal rails, spaced as shown.
Allow the assembly to dry.

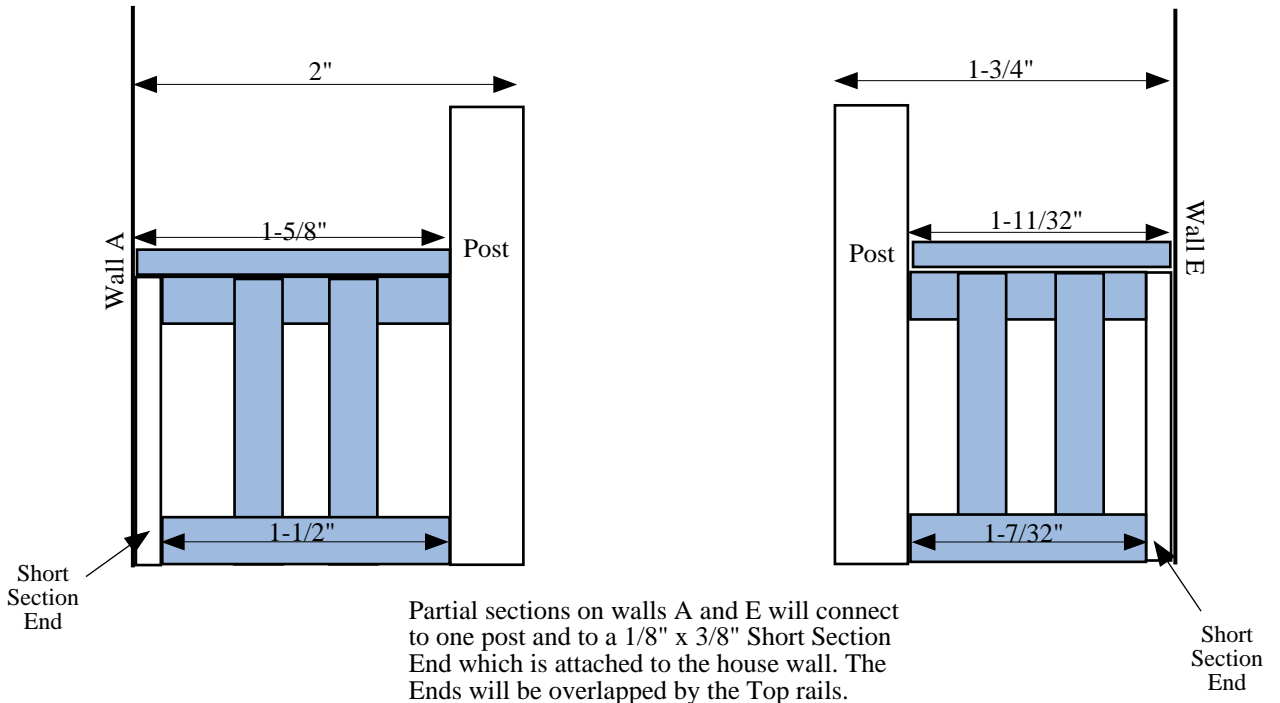
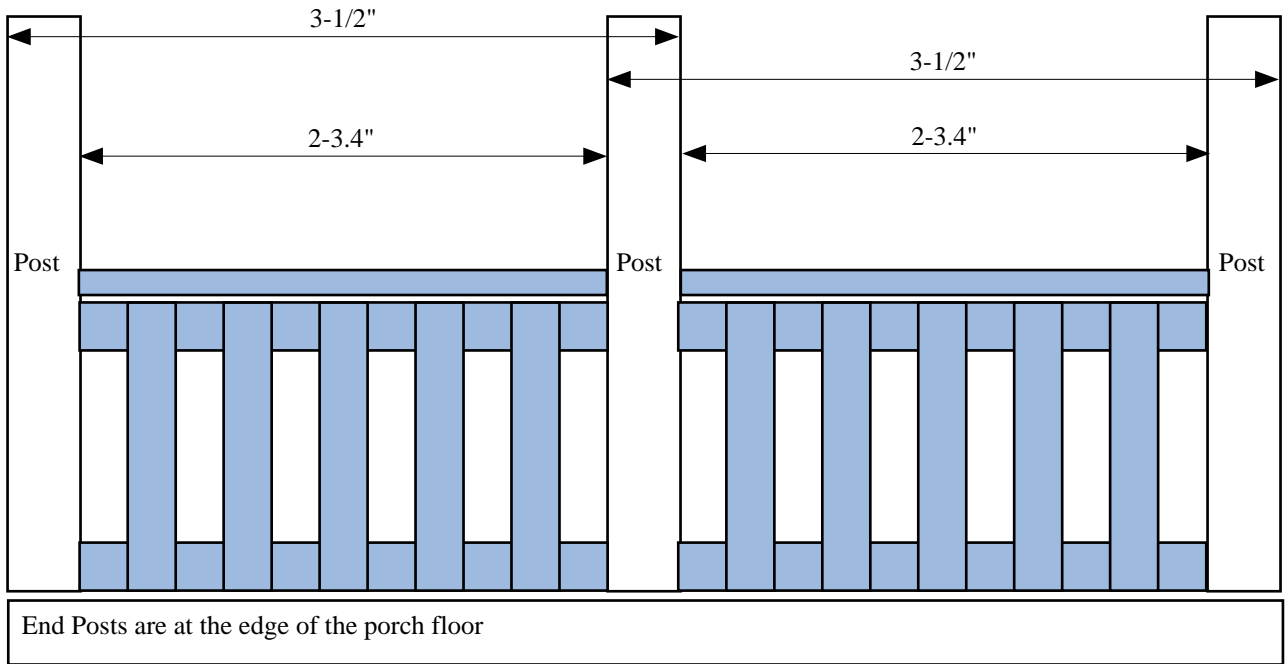


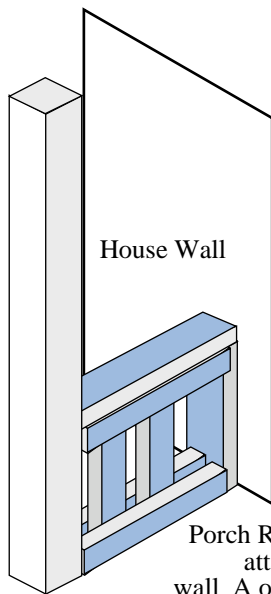
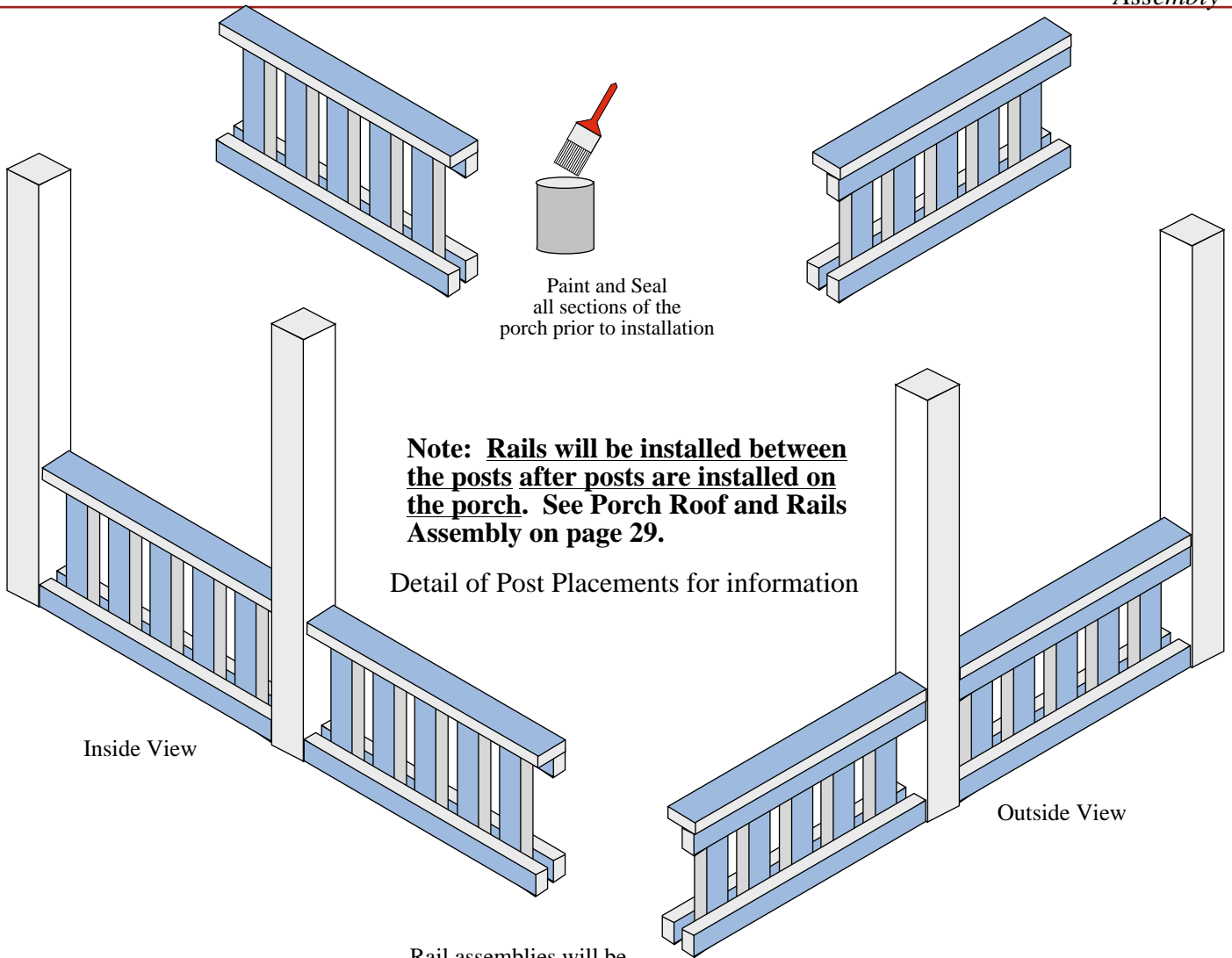
Center and glue the third horizontal rail to the inside bottoms of all rail assemblies



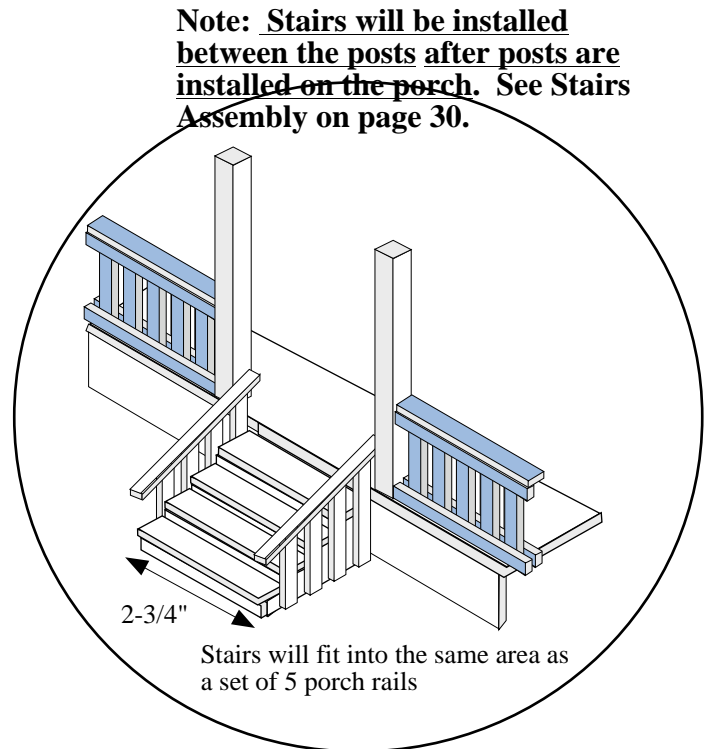
Note: Rails will be installed between the posts after posts are installed on the porch. See Porch Roof and Rails Assembly on page 29.

Detail of Post Placements for information

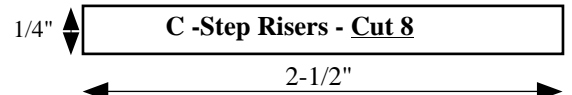
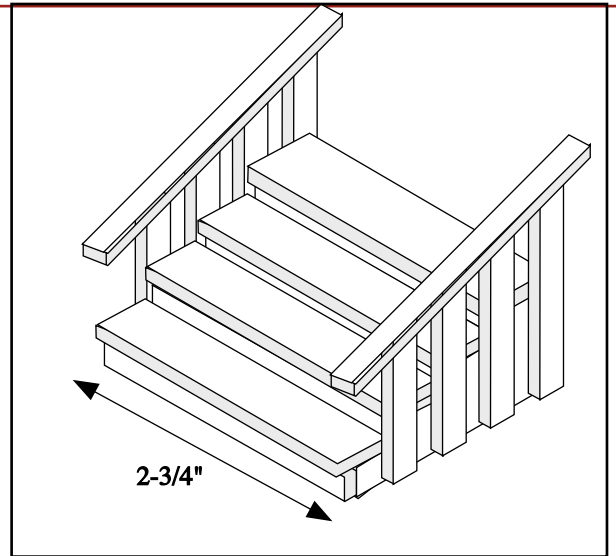
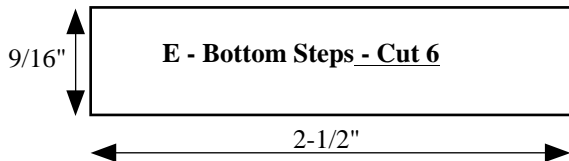
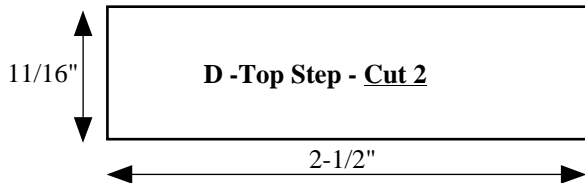
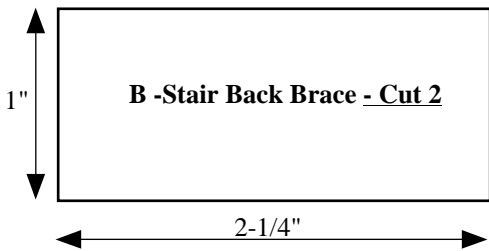
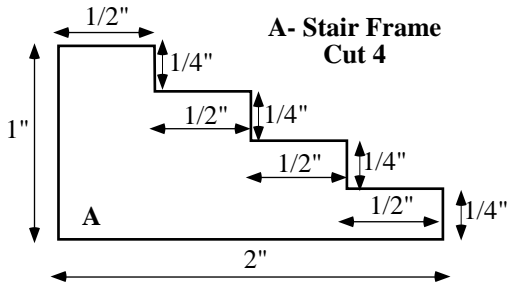




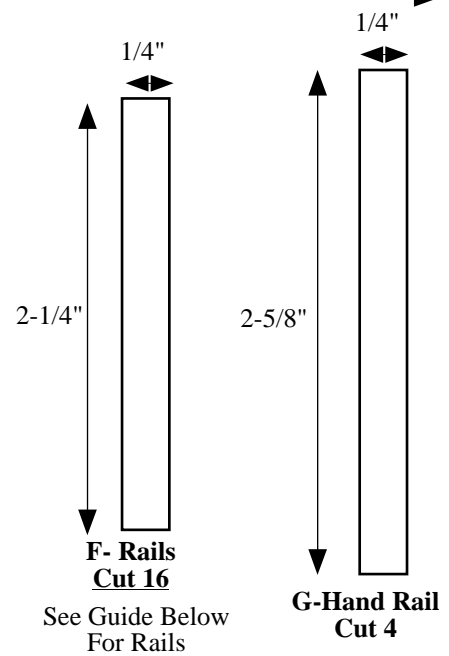
Rail assemblies will be glued to the floor inside of the porch posts and to the porch posts.



Patterns are Actual Size -quantity is for 2 sets of stairs



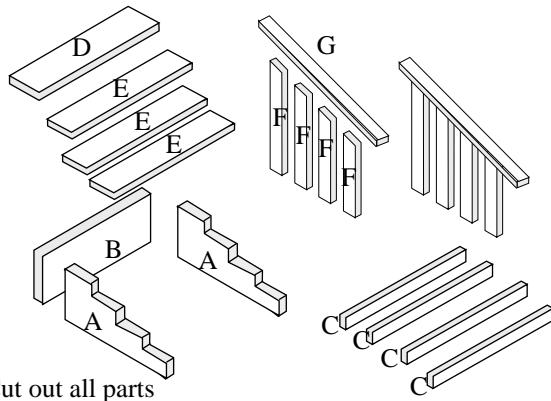
Cut parts C, F and G from 1/8" x 1/4" Strips per Layout on page 7



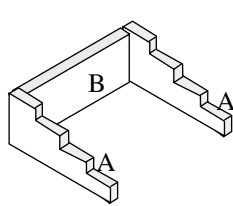
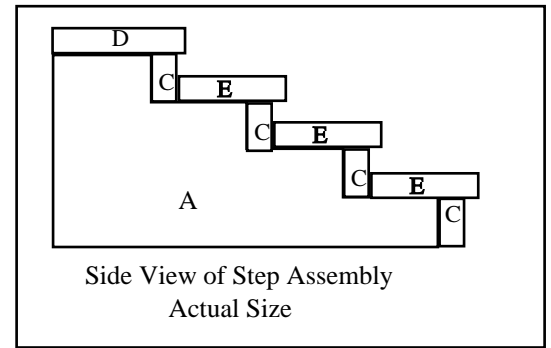
Guide for cutting Rails (F)
Actual Size

Lay out 4 Rails (F) 1/4" apart. Tops are parallel. Secure in this position so that the rails don't shift. On the 4th rail, mark the outside edge at 3/4" down from the top. With pencil and ruler draw a line from top LH corner of F1 to the 3/4" mark on F4. This will be your cutting line for the tops of the rails.

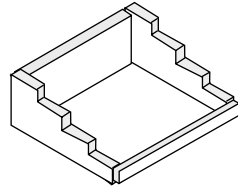
You will need four sets of rails. (Two for each stairway)



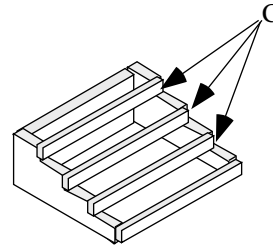
1. Cut out all parts



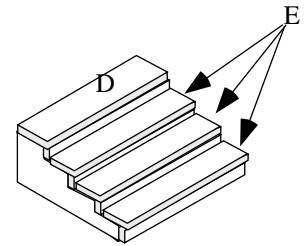
2. Glue Stair Back Brace inside of the stair frames



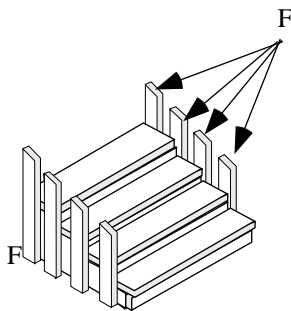
3. Glue one C Stair Riser to the front of the stair frames. Check for squareness of the assembly.



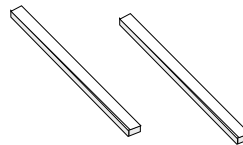
4. Glue the other (3) C Stair Risers as shown.



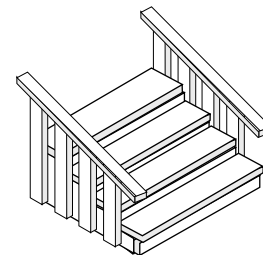
5. Glue Top Step D to the top and the (3) bottom steps E in place, as shown. There will be a 1/16" overhang on the steps.



6. Begin at the back of the stairs base. Attach the Rails (F), leaving a 1/4" space between rails. (See Figure A)

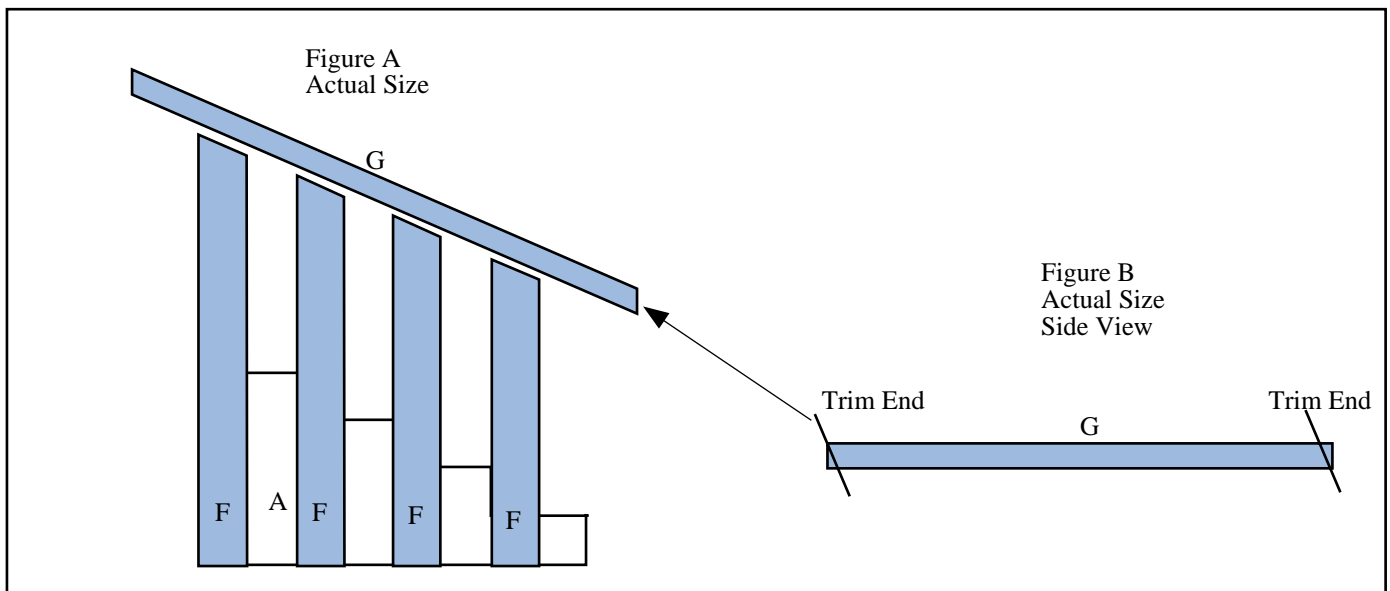
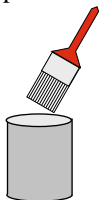


7. Optional: Using Figure B as a guide, trim the ends of the Hand rail (G).

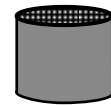
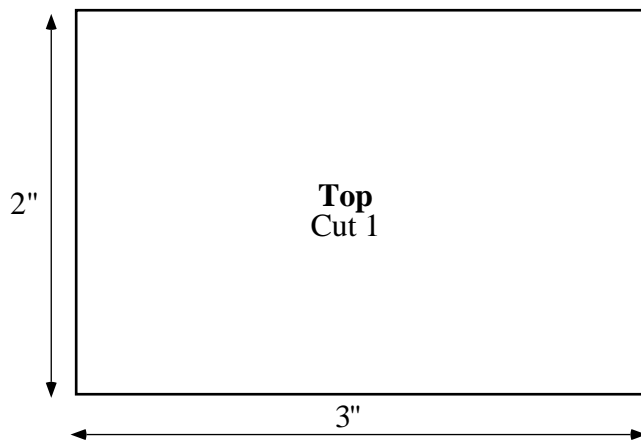
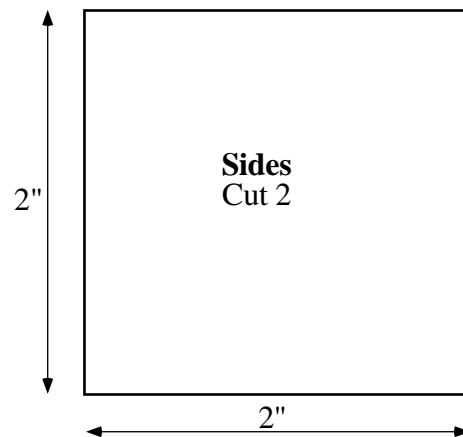
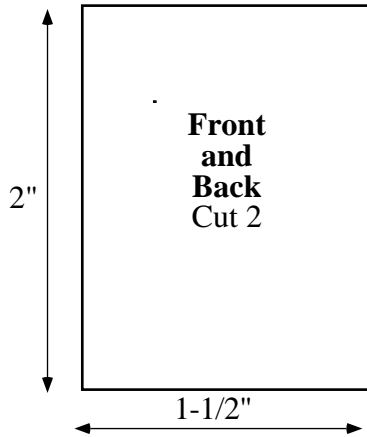


8. Center and glue the hand rail (G) to the tops of the rails.

Paint and seal the stair assembly on all sides prior to installation.



Patterns



1/2" Dia x 1/2"
High
Dowel or Metal
Rod
(no hole)

Optional ideas

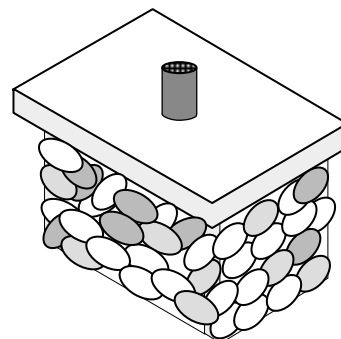
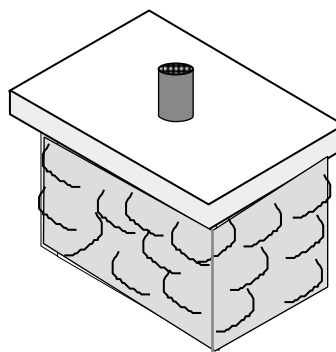
Experiment with some scrap pieces before you begin on your chimney.

1. If so inclined, you could use a bit of ready mix concrete (just add water) which is usually used for patching. Rough up the sides and the top of the chimney and cover them with a thin film of the concrete.

You may have to let it dry and go over it a couple of times in thin films to build up the desired layer. The top could be "flat" (no pattern)

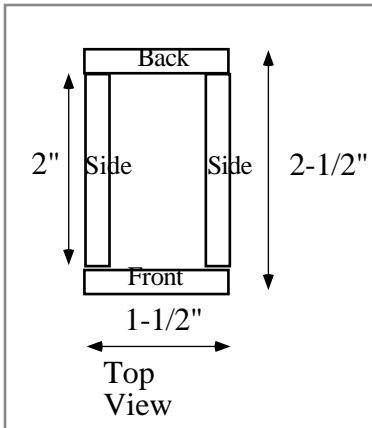
You can use an old sponge, brush, towel or whatever to brush the damp concrete for a rough finish or a specific pattern. The concrete can be painted or left natural.

2. Gather up some small stones or pebbles of like sizes and using epoxy, attach them to the chimney sides. Fill in the "gaps" with a thin layer of concrete, let dry for a little bit and brush the residue off the stones before it hardens. Cover the top piece with a layer of the concrete.

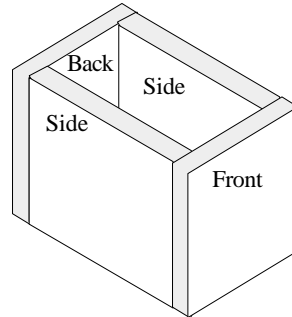


Rooftop Chimney

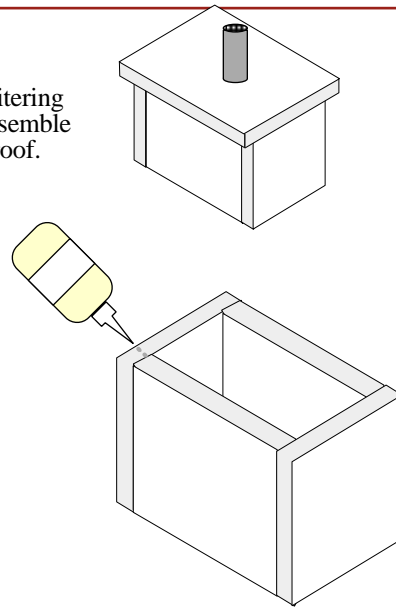
Use wood glue to assemble.



You will not have to do any mitering on a flat roof chimney. Just assemble and attach the chimney to the roof.



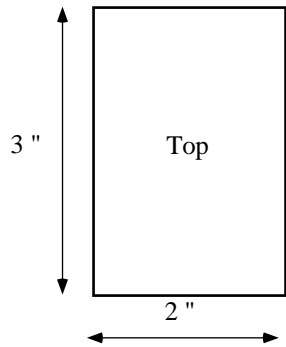
Note that the Sides are assembled inside of the Front and Back. This will form a 1-1/2" x 2-1/2" chimney.



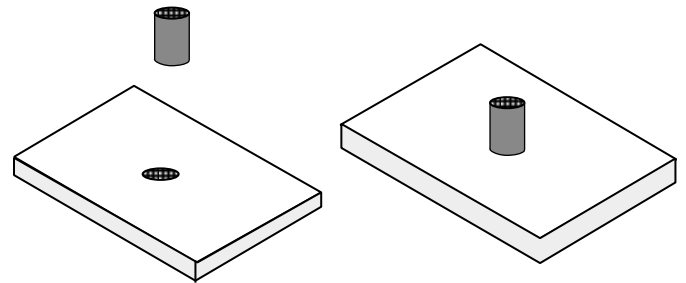
Run a bead of wood glue down the seams and clamp the sides to form a box.

All Tops

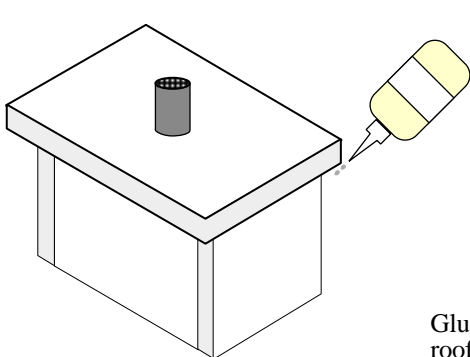
2" X 3"
with 1/2" diameter x 1/2" high
dowel or metal rod (no hole
painted black.
*If building is to be used outside,
you won't want rain water to run
down a hole
into the chimney.*



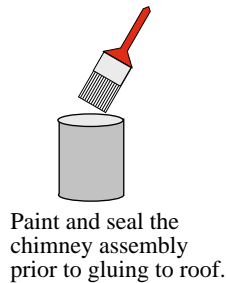
The Top will have an overhang of 1/4" on all sides.



Drill a 1/2" hole in the center of the chimney top. Check to see that the rod will fit. It should be tight. Place a dab of glue inside the rim of the hole and insert rod.

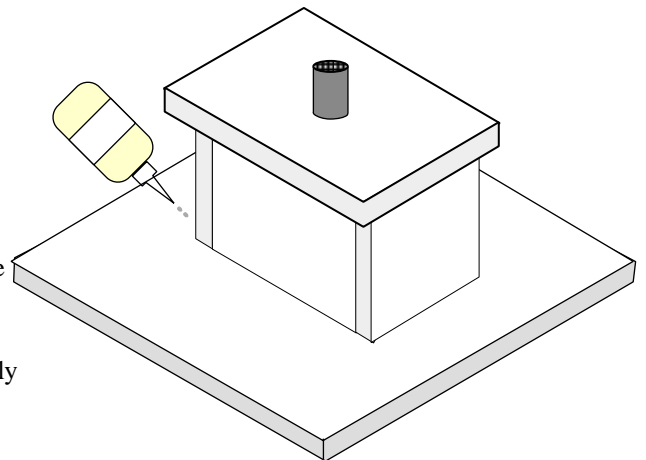


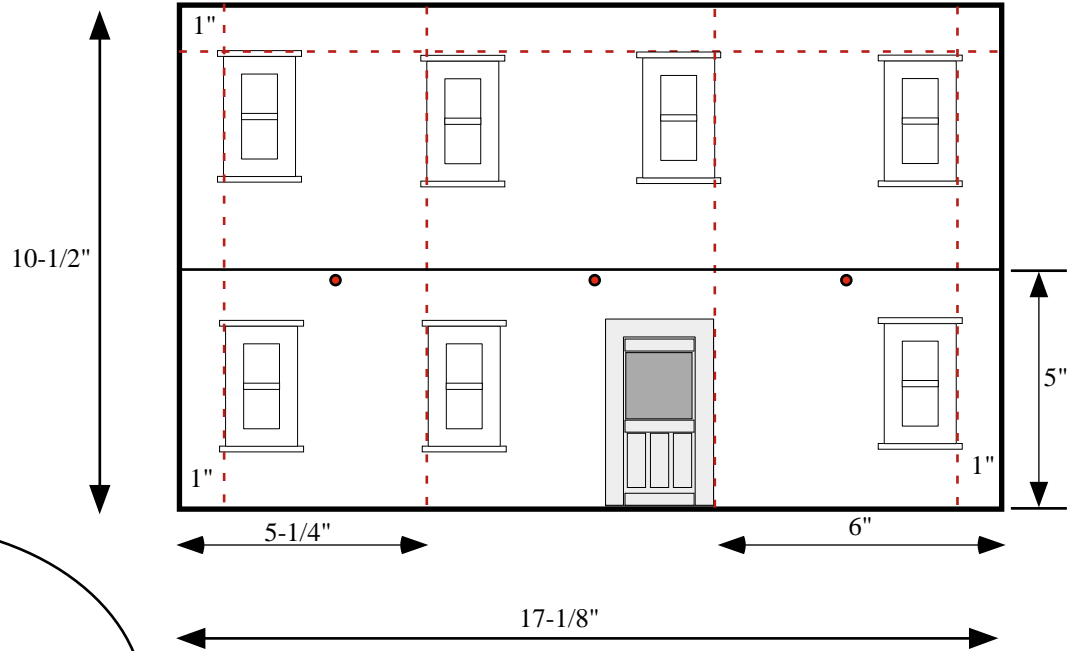
Center and add the Top to the Chimney walls. Glue in place.



Paint and seal the chimney assembly prior to gluing to roof.

Glue the completed chimney to the roof. Keep in mind the placement of the chimney. You wouldn't want to place it on the edge of a wall directly above a window or door.

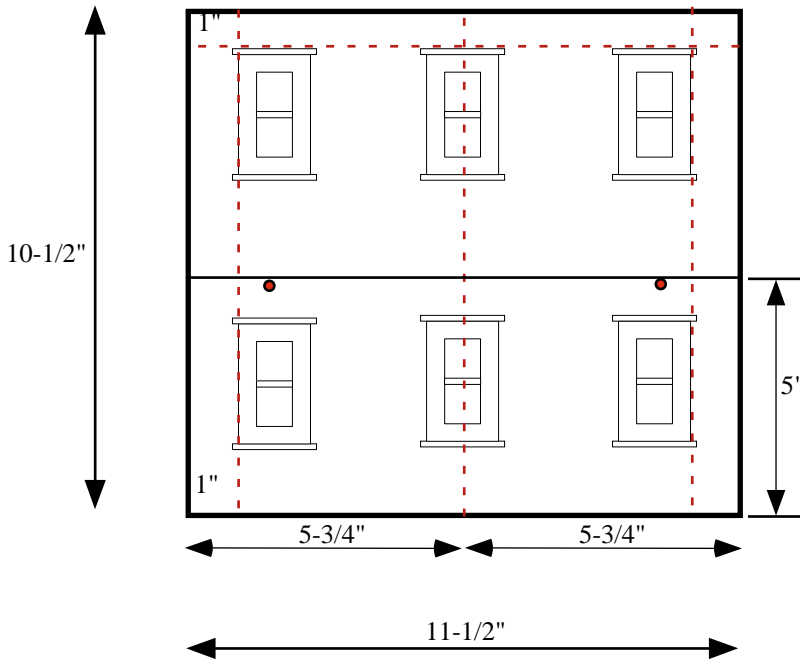




Drill very small pilot holes through the wall at 1/4" under the 5" line. These will be to aid in screwing the porch roof to the house.

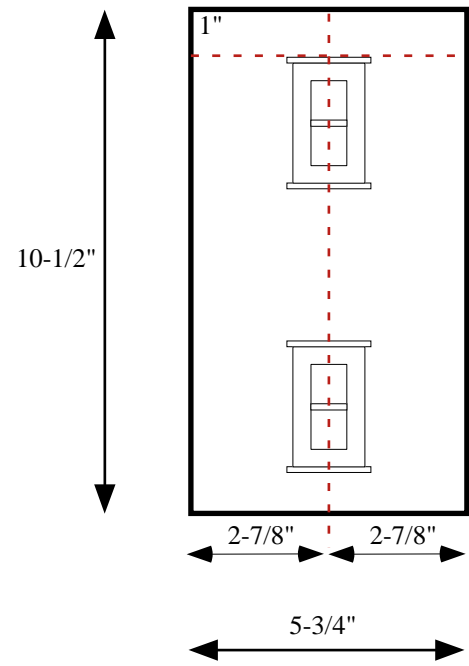
Wall A
10-1/2" x 17-1/8"

Pilot holes on Wall A will be 3" from the sides and one centered at 8-9/16". (3 holes)



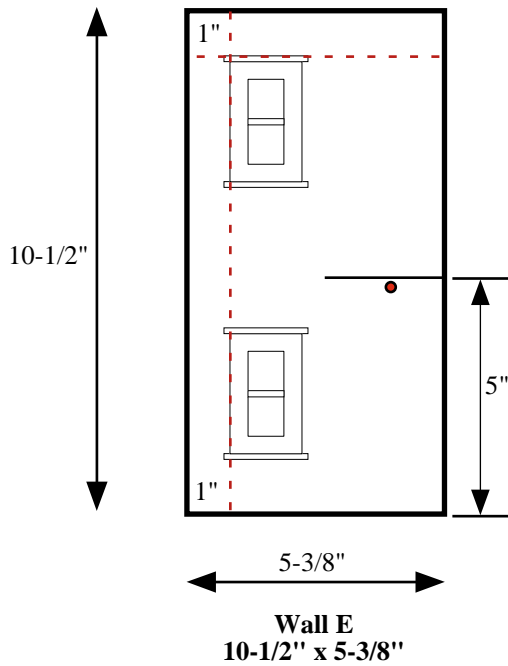
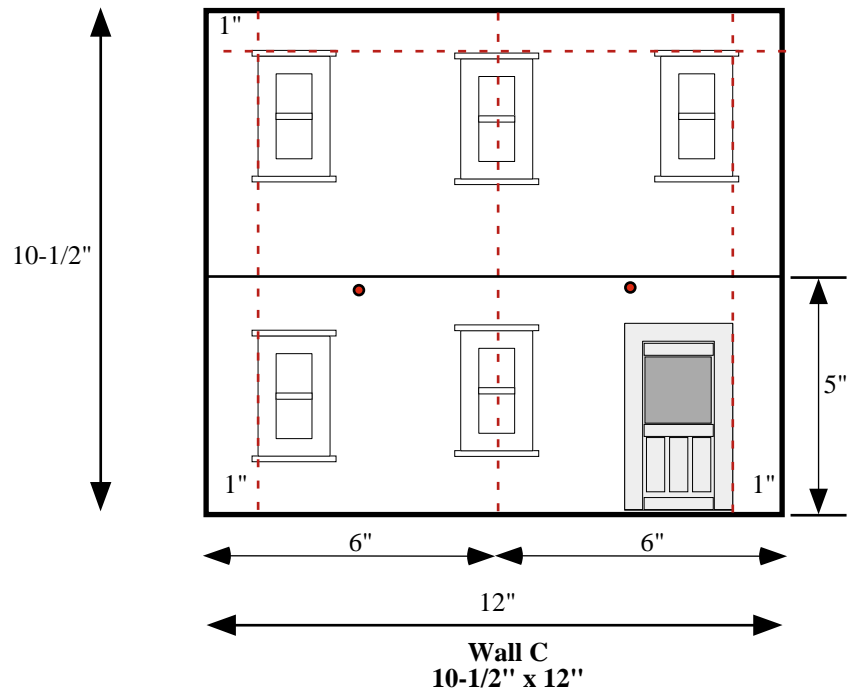
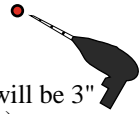
Wall B
10-1/2" x 11-1/2"

Pilot holes on Wall B will be 3" from the sides. (2 holes)

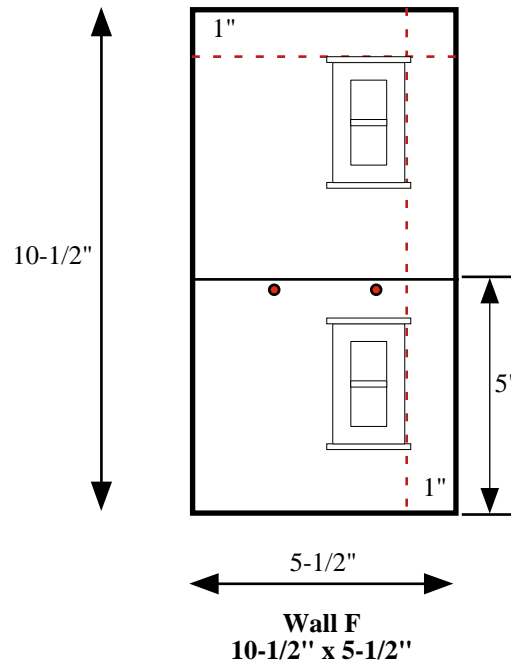
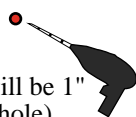


Wall D
10-1/2" x 5-3/4"

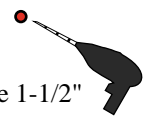
Pilot holes on Wall C will be 3" from the sides. (2 holes)

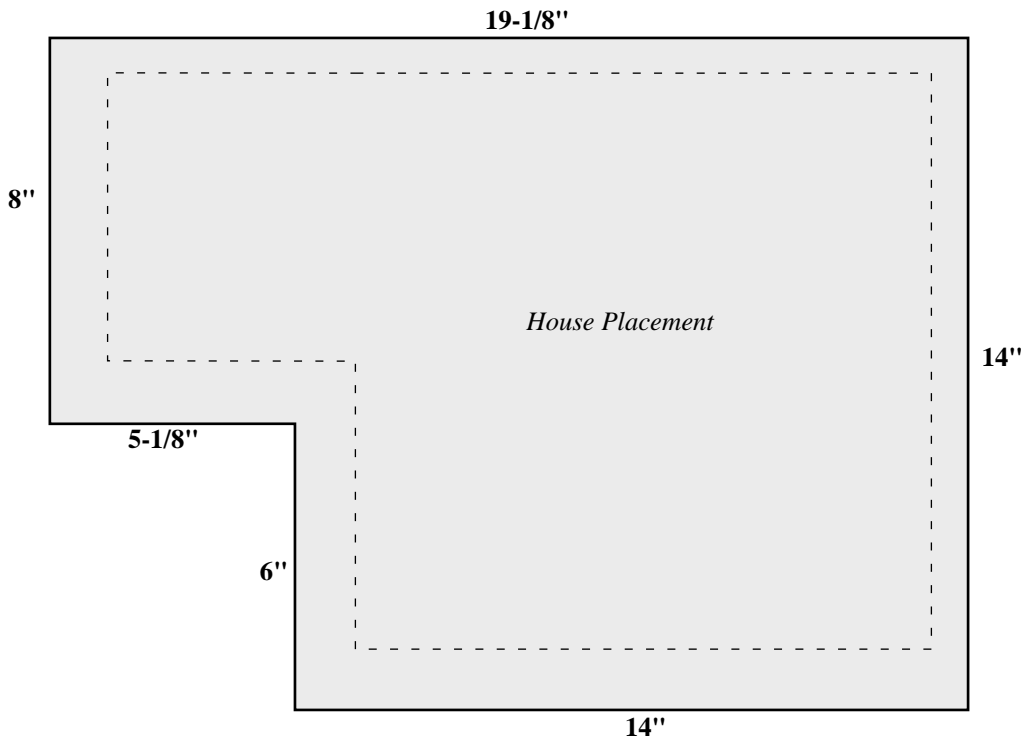


Pilot hole on Wall E will be 1" from the right side. (1 hole)



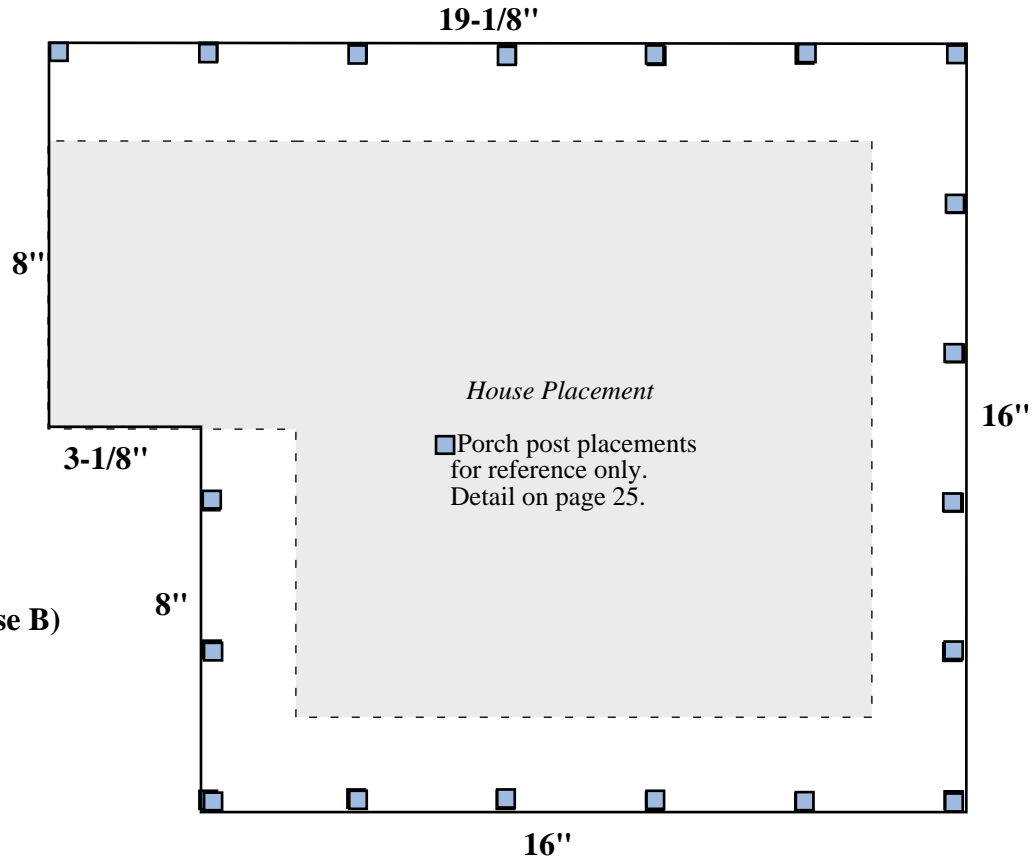
Pilot holes on Wall F will be 1-1/2" from the sides. (2 holes)





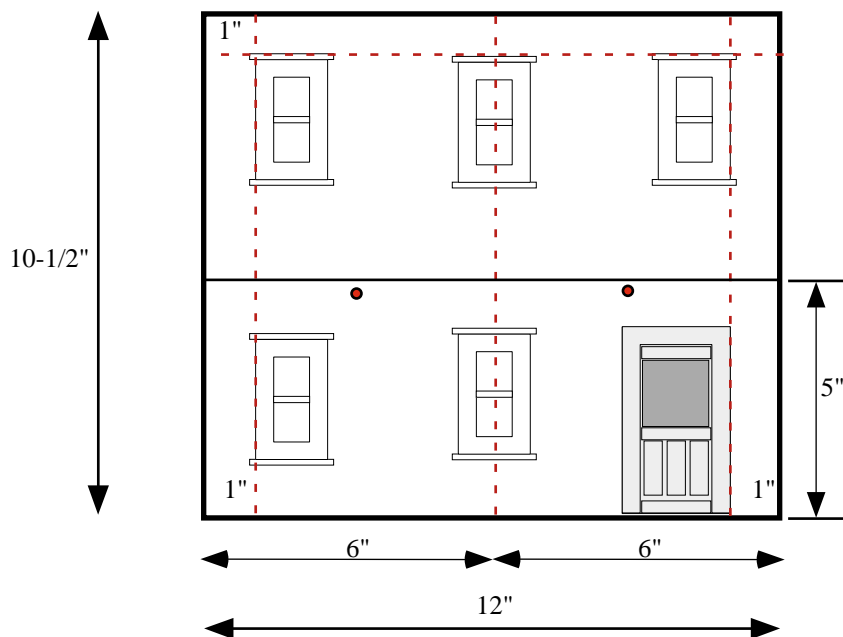
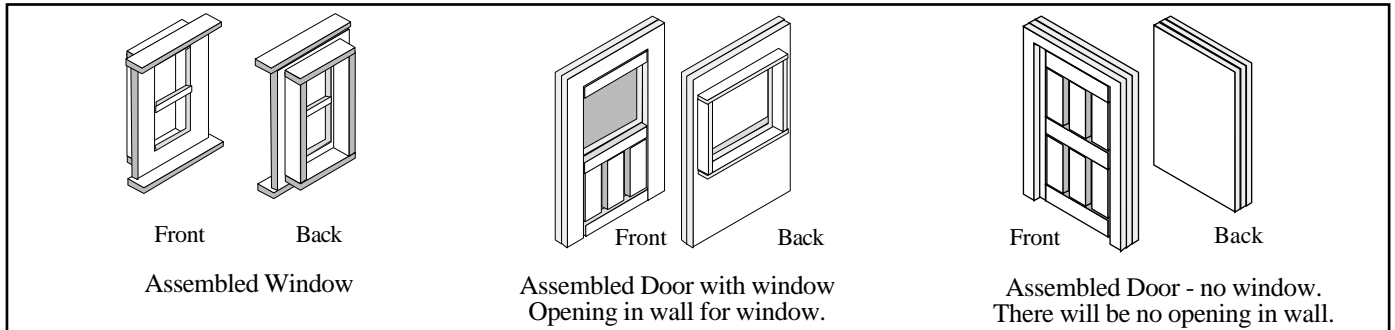
Floor for house and porch
Cut 1

Cut from 1/4" Plywood



Foundation for Floor-(House B)
Cut 1 Each

- E** 1-1/8" x 3-3/8"
- F** 1-1/8" x 7-1/2"
- D** 1-1/8" x 7-3/4"
- B** 1-1/8" x 15-1/2"
- C** 1-1/8" x 16"
- A** 1-1/8" x 19-1/8"



Pilot holes on Wall C will be 3" from the sides. (2 holes)

Remember there will be a frame behind the walls. Openings must not be in front of the frames. Minimum is 1" for frame clearance.

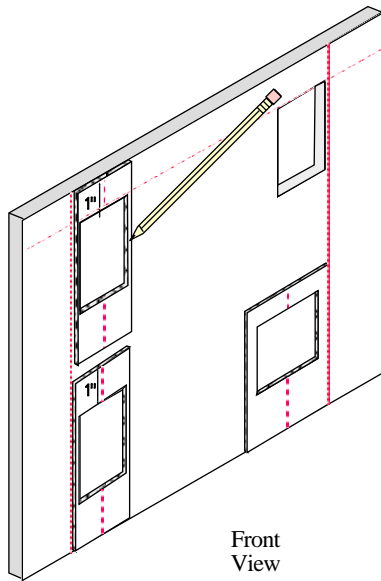
Wall C
10-1/2" x 12"

1. With pencil and ruler, lightly draw vertical guide lines on the wall sides, according to patterns.
2. Draw a vertical line in the center of the wall if windows will be placed there. On the Wall C illustrated above, make your guide line at 6" from each side.
3. Draw horizontal line 1" from the top of the wall (roof line).
4. If the wall will have part of the porch roof attached, draw horizontal line 5" from the bottom of the wall. (Walls A,B,C,D & E)
5. Mark where you will drill your pilot holes 1/4 below the porch roof line, according to pattern. *Wall C pilot holes will be 3" from each side.*

Doors and windows should be painted or stained and sealed before you actually insert and secure them into the building.

Also, we recommend painting the walls prior to door and window installation.

Template for Window Opening in Wall



Important: After you cut out your template, check that your the size and openings are accurate according to dimensions noted. Use a ruler to check.
You can take a finished window or door and make sure that it physically fits into the template opening.

5. Using your side guide lines, place the template as follows.

Ground floor:

Bottom of template will be on bottom of wall

2nd floor:

Top of template will be on top of wall

Centered windows

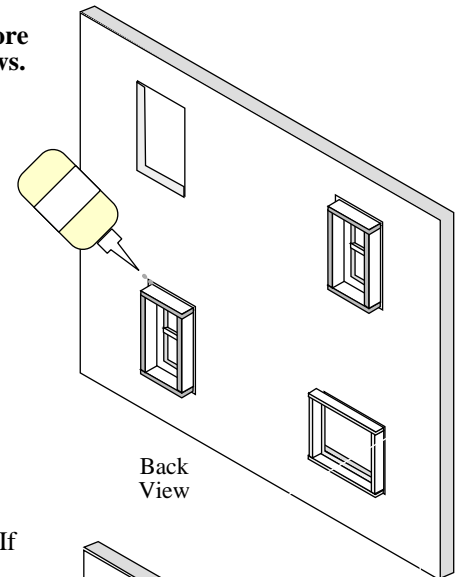
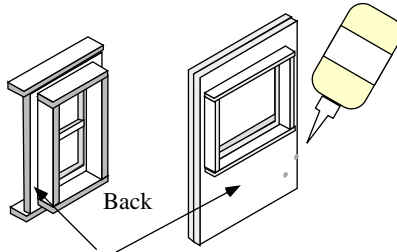
Use the vertical center line on the template to match up with the center line on the wall

Using template and pencil, mark the window opening on the building. Cut out opening on building. The opening is now ready for the finished window.

6. Before gluing windows, check to see that they will easily fit the wall openings. Trim openings if necessary.

7. Assemble the House before installing doors and windows. See Pages 27 and 28

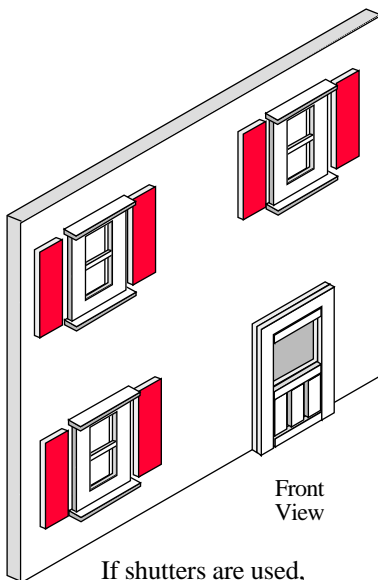
Place some wood glue on the flat backs of the finished window and door with window. (around the frame) This will adhere to the front of the wall.



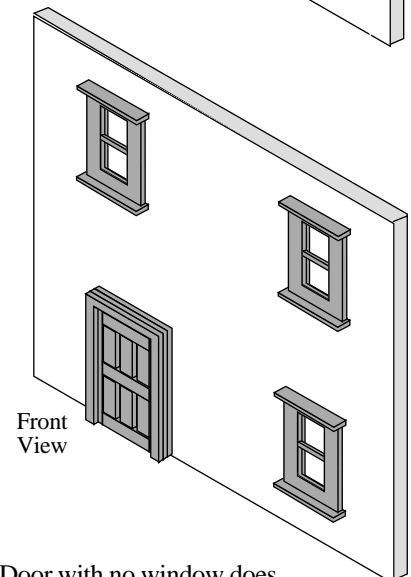
8. Insert the glued window or door with window into the appropriate wall opening. Look at the front side and using a level, make sure the window is straight. Run a bead of wood glue around the window brace. Allow the glue to dry. If necessary, you can hold them straight with a strip of masking tape until they dry.

If you have "slipped" and cut the hole a little too large, add some wood putty around the window after it is installed.

Install doors and windows before adding the roof.

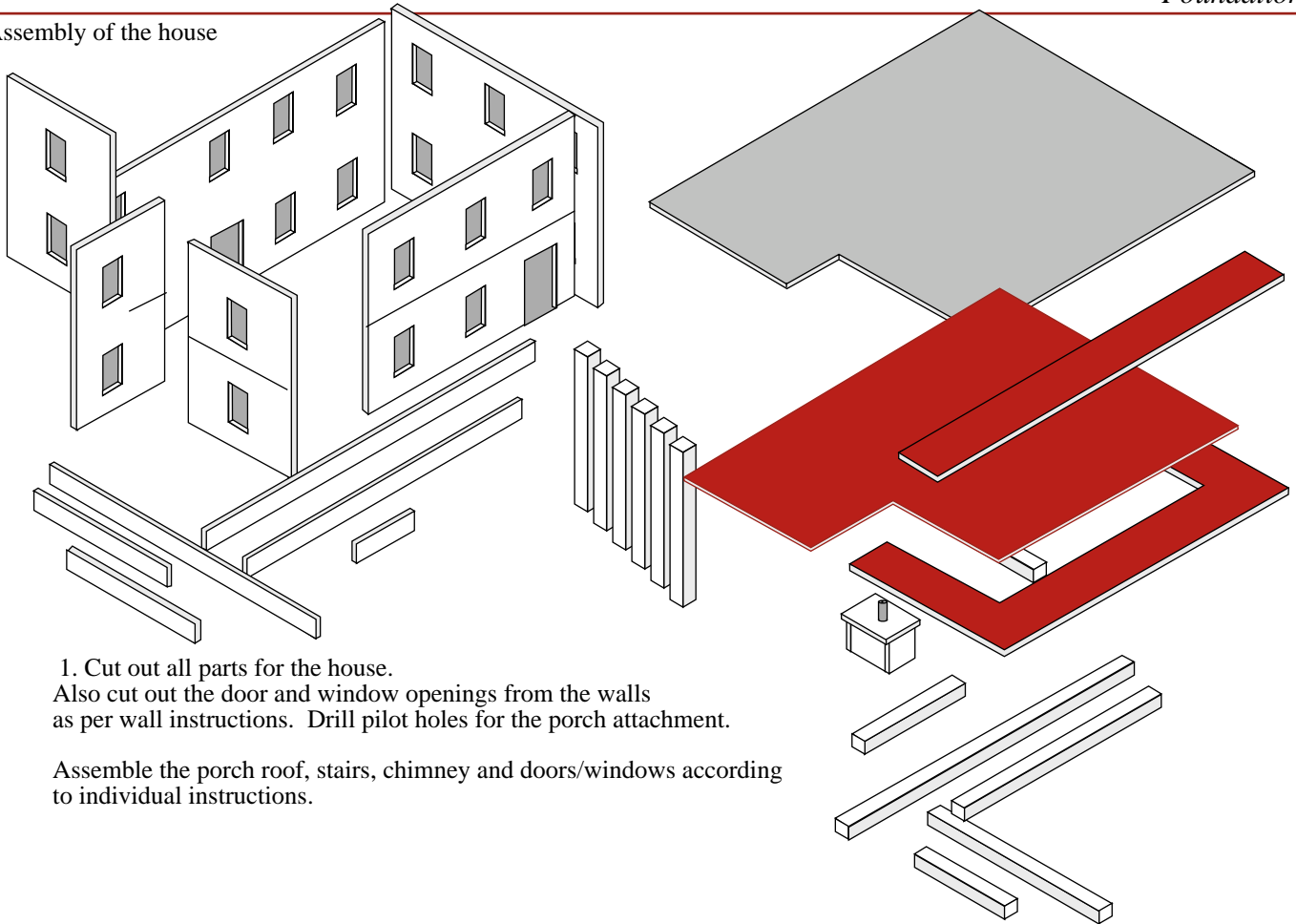


If shutters are used, glue in place.



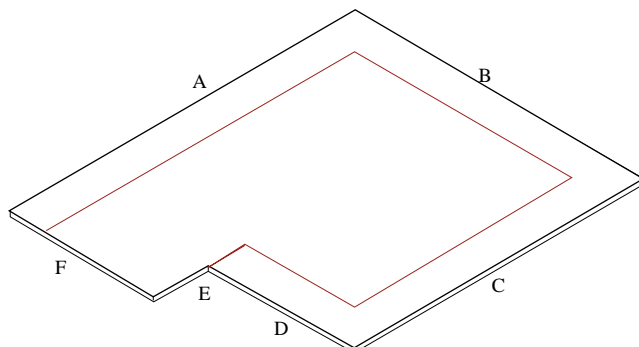
Door with no window does not have a wall opening. Glue door in place.

Assembly of the house

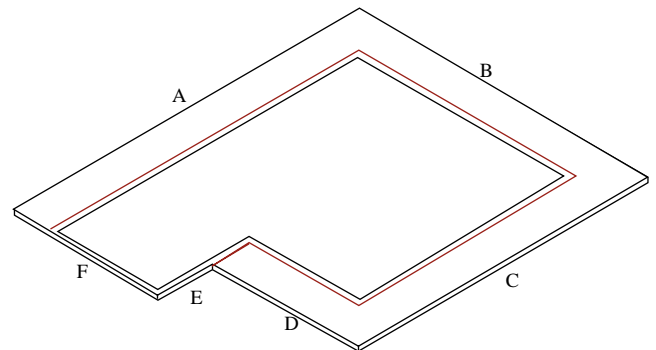


1. Cut out all parts for the house.
Also cut out the door and window openings from the walls as per wall instructions. Drill pilot holes for the porch attachment.

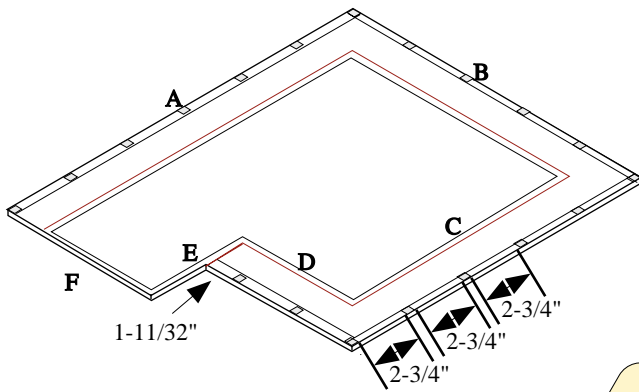
Assemble the porch roof, stairs, chimney and doors/windows according to individual instructions.



2. Floor. Measure off the porch area.
Lay the foundation on a flat surface.
With ruler and pencil, measure 2" inside of all walls except walls E and F, as shown. The 2" border will be the porch area.

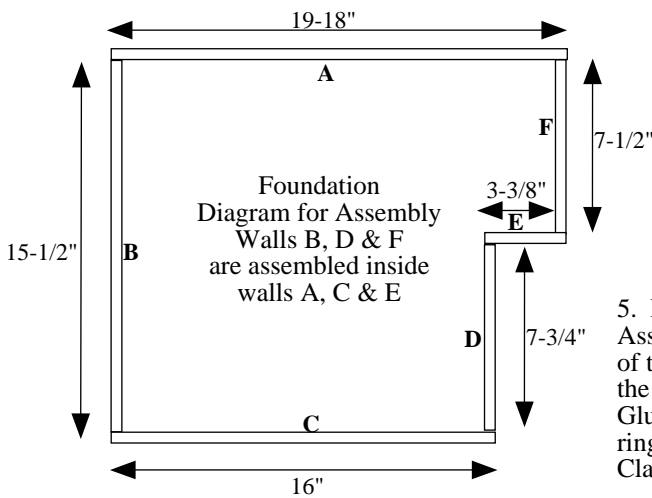
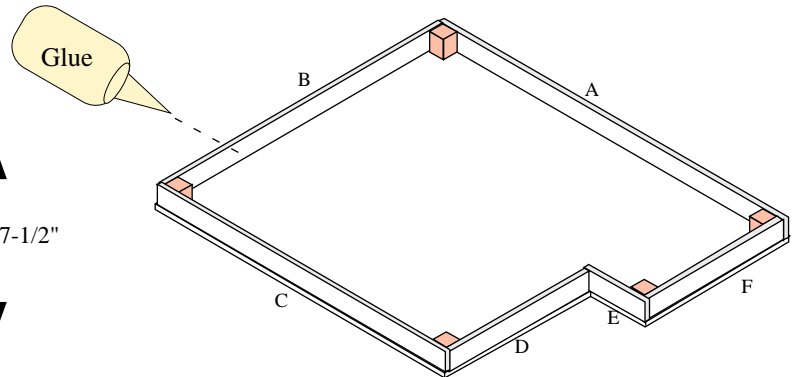


3. House frame placement
With ruler and pencil, measure 1/4" inside of the porch area and 1/4" inside Walls E and F. The 1/4" border is for placement of the frame. (Walls are 1/4" thick and will be placed just between the frame and the porch lines.)



4. Porch Post Placements (Posts are 3/8" square)

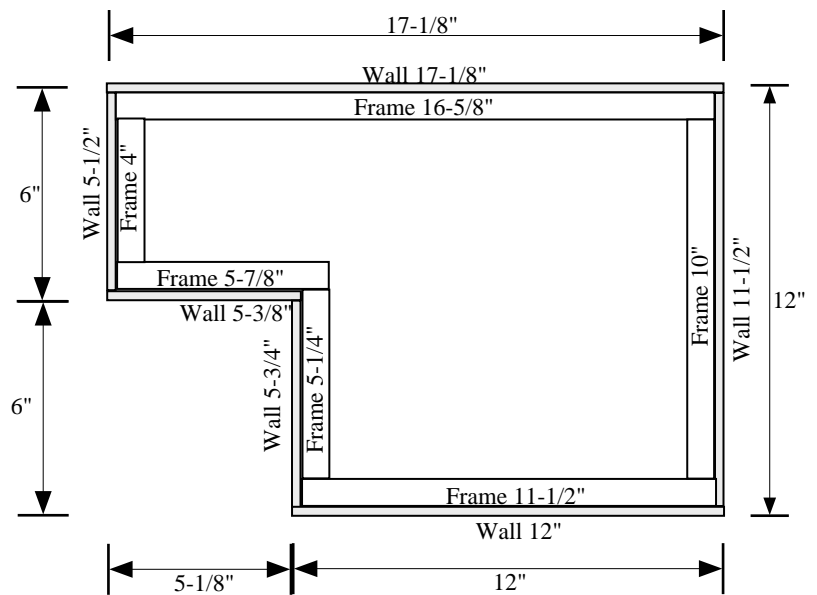
Measure and mark a line 3/8" inside the edge of the porch, as shown. Begin with the corner posts. Posts will be installed to the edge of the floor. Allow 3/8" for the post. Measure 2-3/4" space from one post to the next. There will only be 1-11/32" space when you reach wall E. Mark with pencil where the posts will be glued to the porch floor.

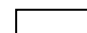



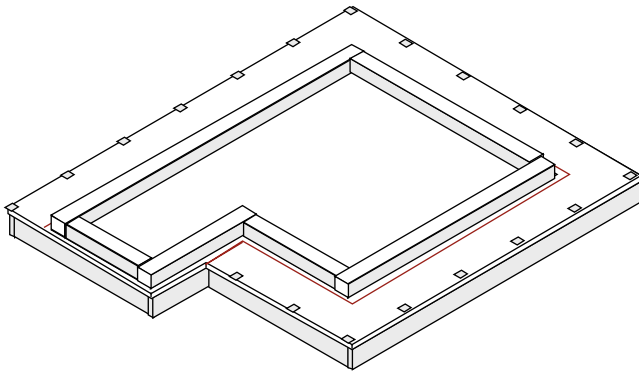
5. Flip the floor onto it's back. Using the Foundation Diagram for Assembly, place the appropriate floor foundation strips on the back of the floor. They will be to the very edge of the floor. Check that the fits are accurate and that corners will be square. Glue the strips in place. In each inside corner, glue a 1-1/8" long furring strip square to the floor and to the strips for added strength. Clamp in place and allow to dry completely.

Diagram for Frame and Wall Placement

**Note: If your framing material is a different size than 3/4" square, adjust your horizontal frame pieces to fit the diagram.

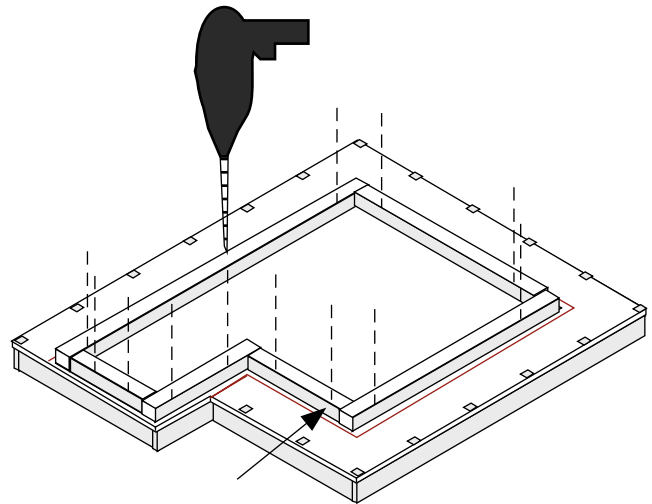


 Frame (nominally 3/4" x 3/4")
 Walls are 1/4" deep

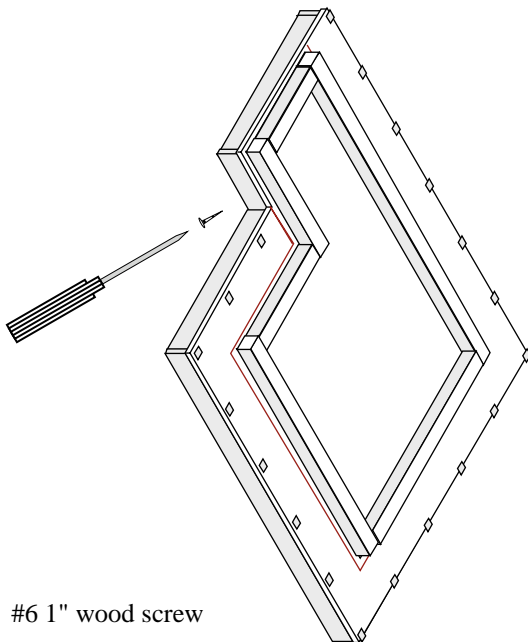


6. See the Diagram for Frame and Wall Placement (Page 25)

Flip the foundation with floor back over. Check that the frame assembly pieces fit inside the area you have drawn for wall placement and that all corners are square. Make any adjustments necessary. You should actually place the walls and check that they fit into their specified areas.

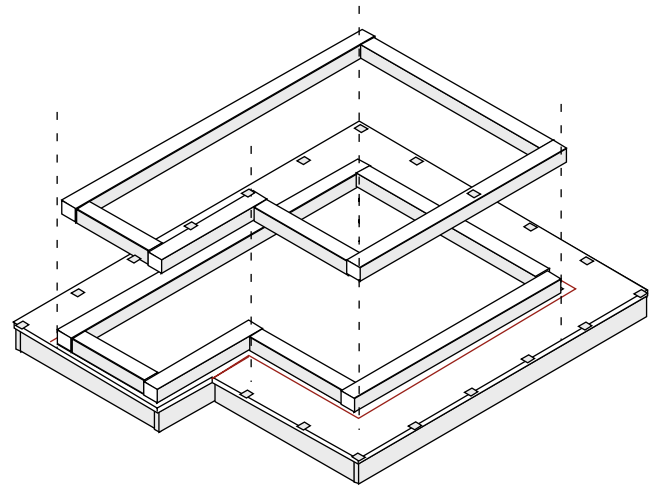


7. Hold the frame pieces in place and drill two holes through each one and through the floor. Drill the holes at least 1" from the ends of the boards.



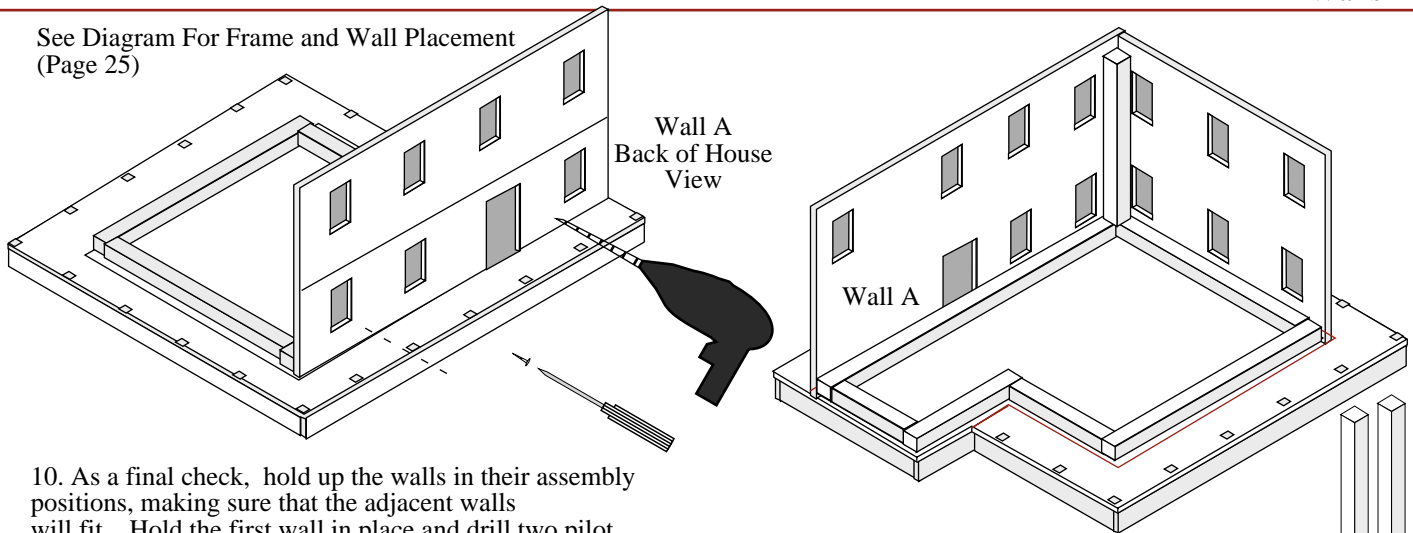
#6 1" wood screw

8. One at a time, glue the bottom frame in place to the floor. Flip the assembly back over and insert a screw into the pilot holes (from the bottom) through the floor and into the frame. Allow glue to dry completely.



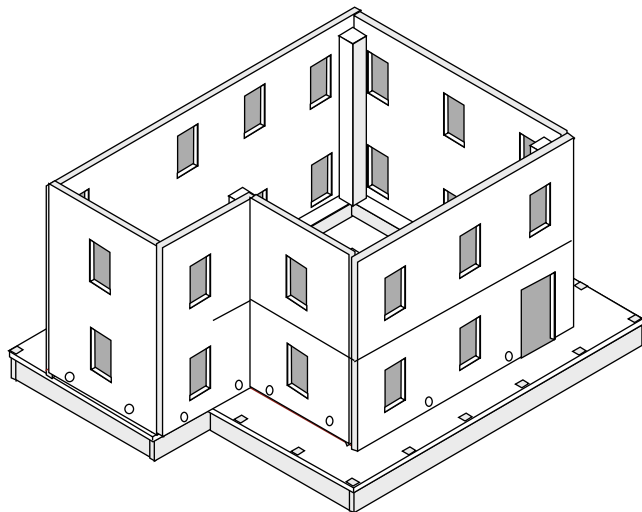
9. Check that the top frame parts are exactly the same size as the bottom parts. Assemble the top frame, duplicating the bottom frame. You can nail and glue the frame. Place it on top of the bottom frame and once again check that they match up vertically. Then lay the top frame aside to dry.

See Diagram For Frame and Wall Placement
(Page 25)

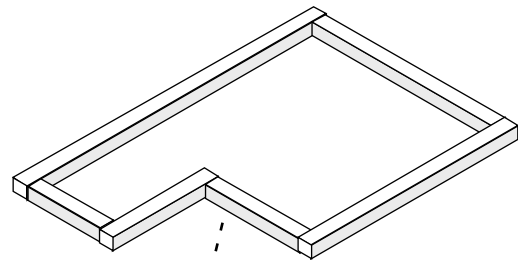


10. As a final check, hold up the walls in their assembly positions, making sure that the adjacent walls will fit. Hold the first wall in place and drill two pilot holes through the front and into the frame. Glue the bottom of the wall and screw it in place. Countersink the screws.

11. In the same manner, install the adjacent wall. (Drill two holes, glue the end of the adjacent wall which fits inside and screw in place) Take a vertical frame section. Glue it on the bottom and two adjacent sides. Place the frame section in the corner of the two walls, pressing it firmly to the walls.

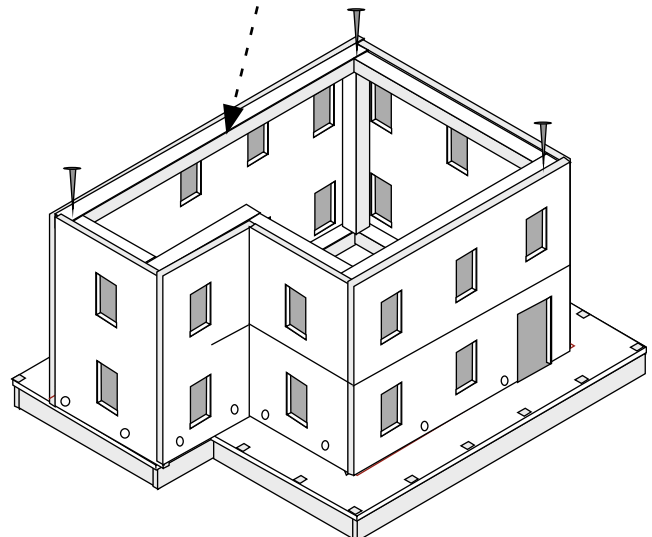


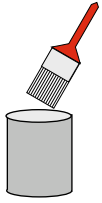
12. Continue adding the walls until all are in place and all inside corners have a vertical stud.



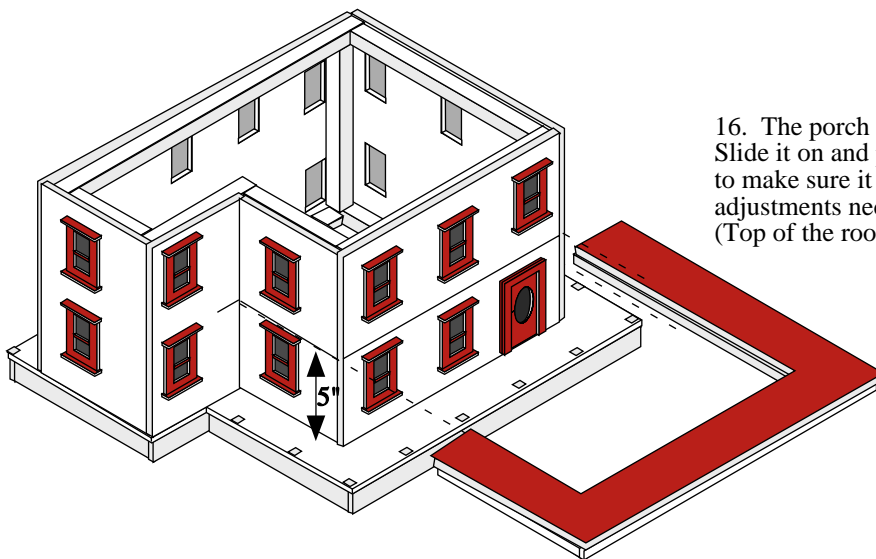
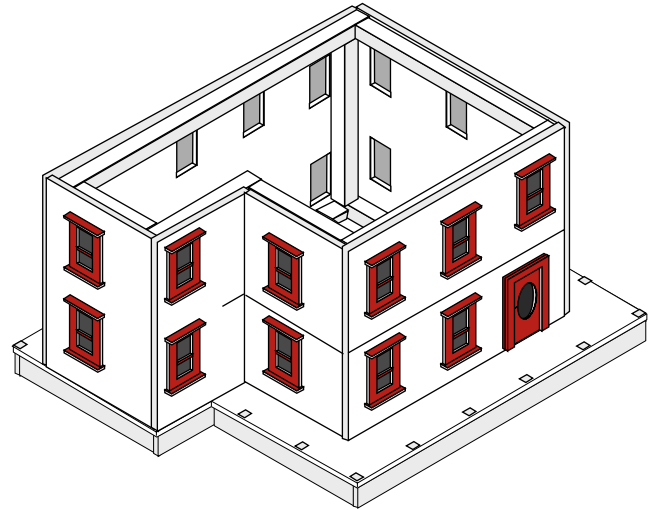
13. Glue the tops of the vertical studs. Run a light bead of glue along the outside of the top frame and place it on top of the vertical studs. (Tops of the walls will be glued to the top frame, as well). Further secure the top frame to the vertical studs with nails.

Use clamps on all corners if necessary. Allow the assembly to dry completely.

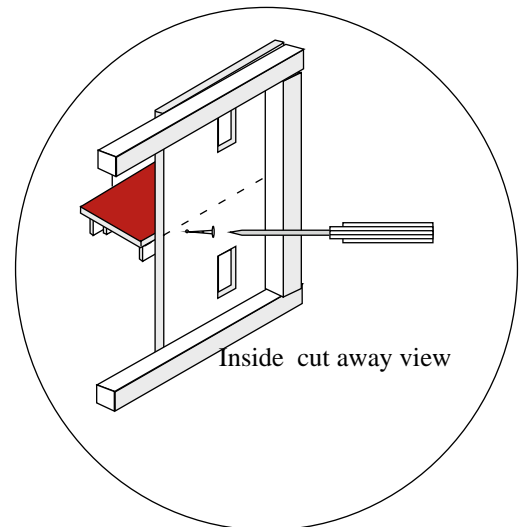
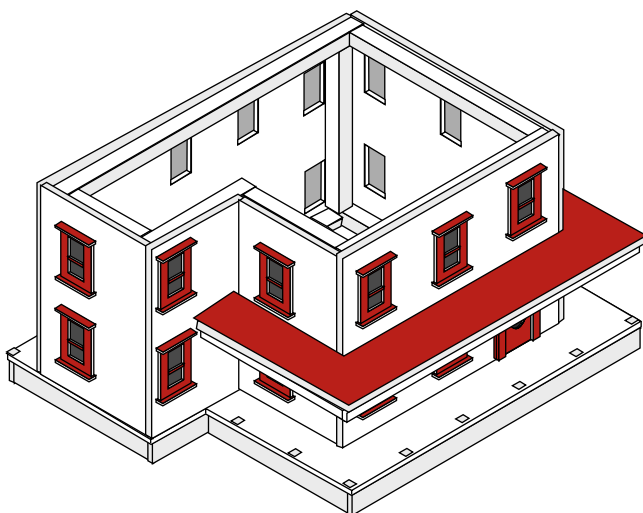




14. Paint the house and allow to dry. If displaying outdoors, seal with polyurethane.
15. Install the doors and windows, according to directions

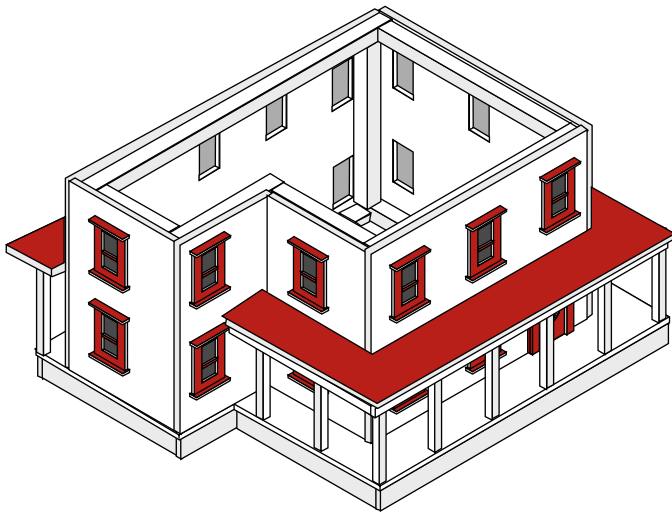
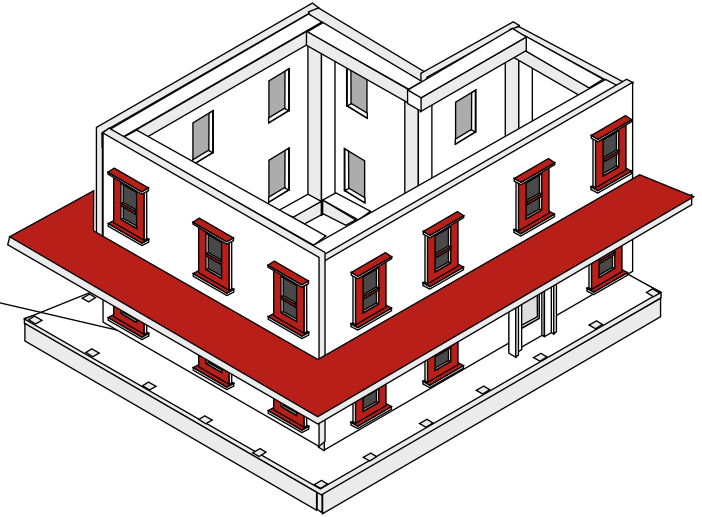


16. The porch roof sleeve will slide onto the house front. Slide it on and position the bottom edge on your 5" line to make sure it fits before you add any glue. Make any adjustments necessary.
(Top of the roof will be 5-1/4" above floor)



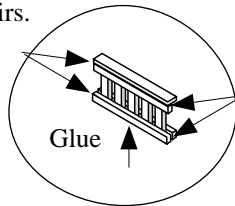
17. Glue the exposed backs of the porch roof, including the porch brace. Position the roof and hold it in place. From the inside of the house, place a small 3/8" wood screw through the pilot holes into the porch brace.

18. Just before gluing and screwing the back porch roof to the house, glue the two porch halves together at the join. Clamp until dry.



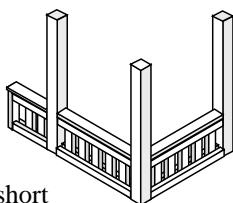
19. Make sure that the porch posts will fit snugly into the channel on the inside top of the porch and the porch floor. Then glue tops and bottoms of the porch posts and carefully slip them in place. Position the post bottoms on your pre-marked squares on the porch floor. Use a square to make sure they are straight. Allow to dry.

20. After the posts are dry, begin gluing the rail sections in place between the posts. They should be glued to each post on the ends and to the floor. The top rail will fit flush inside the posts. Leave the proper spaces open between posts for front and back stairs.

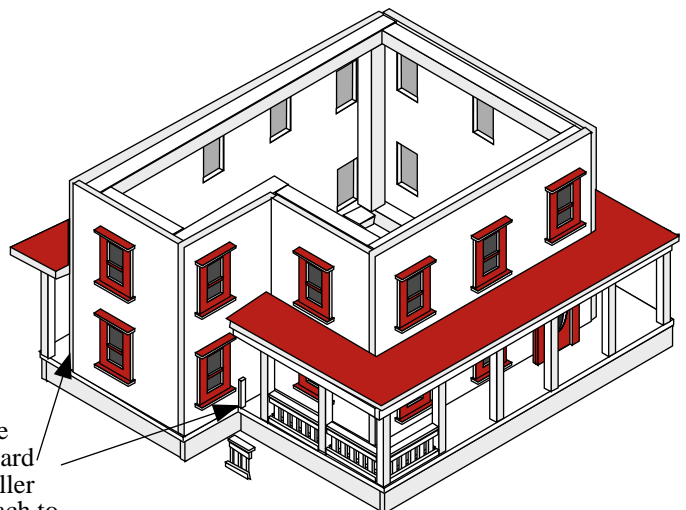


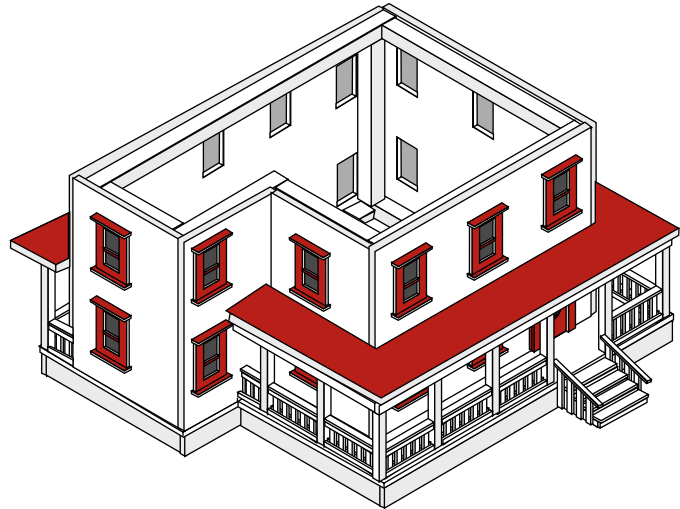
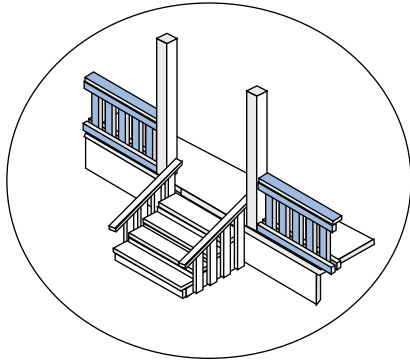
See Pages 13 and 14
for detail of rail installation

Top rail
will fit on
top of the short
end pieces.

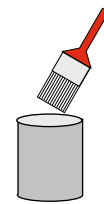
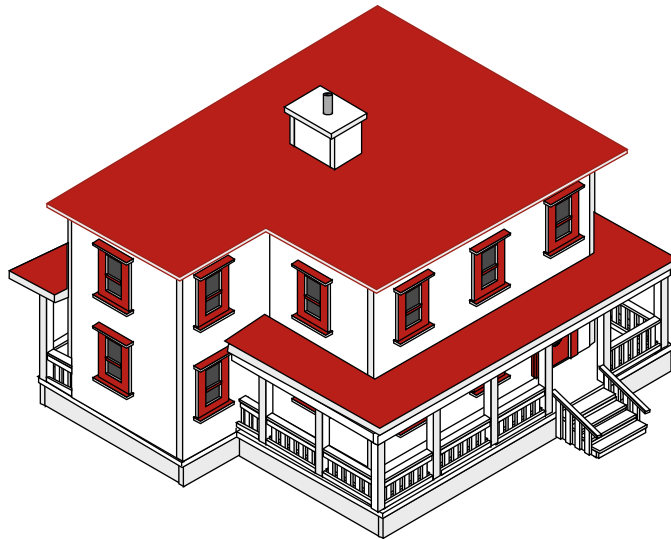


On walls E and A, glue
a 1/8 x 3/8 x 1-1/4" board
to the wall for the smaller
end rail sections to attach to.





21. Check that the stairs fit into their allotted space between two posts. Make any adjustments necessary. Glue the back of the stairs to the foundation and the hand rails to the posts on either side.



Paint and seal roof prior to adding to house.

22. You can now add the roof.
Note: If you are installing lights in your house, you may want to use screws to attach the roof for future access to the wiring.

Otherwise, center and glue the roof in place. There is a 1" overhang on all sides.

Then glue the chimney in place, wherever you wish. (Don't place it directly over a window)